

GB

**Installation and Operation Manual solid fuel cooker  
ÖKONOM 85/FIKO and ÖKONOM 75/FIKO  
tested according to the standard EN 12815**

**1. GENERAL**

The solid fuel cooker has been designed for home cooking and baking. It has been conceived to burn wood and lignite briquettes. The cooker can be installed in common premises defined by the Slovak national standard STN 33 0300.

Make sure that all local regulations, including those concerning national and European standards, are respected during installation.

Inform your chimney-sweep prior to cooker installation to have an expert check of the cooker connection to your chimney made.

Make sure that the floor where the cooker will be installed has adequate bearing capacity. When installing, make sure there will be easy access for cleaning the cooker, the flue way, and the chimney.

The cooker must be closed whether in use or out of use, otherwise operation of other equipments connected to the chimney may be affected.

**CAUTION: For commands of spare parts or complaints, please give the designation, model, and reference number mentioned in the data card!**

**2. TECHNICAL DATA AND FEATURES**

The cooker can be connected to the chimney from the side, from the top and from the back.

Versions:	right and left hand side
Nominal capacity:	7,0 kW
Nominal heating capacity efficiency:	wood = 77,2 %, lignite briquettes = 65,5 %
Operating chimney draft:	wood = 10 Pa, lignite briquettes = 11 Pa
Worktop height	850 mm
Cooker width	ÖKONOM 85/FIKO = 850 mm, ÖKONOM 75/FIKO = 755 mm
Cooker depth	600 mm
Draught shaft diameter:	Ø120 mm
Dimension up to the lower edge of the draught shaft:	641 mm
Weight	120 ÷ 126 kg
Dimensions of the oven:	Width: 334 mm, Depth: 455 mm, Height: 234 mm
Area of the cook-top:	0.34 m <sup>2</sup>

Recommended fuel:

- dry hard wood - approximate heating value 15 MJ.kg<sup>-1</sup>
- lignite briquettes - approximate heating capacity 20 ÷ 23 MJkg<sup>-1</sup>

Approximate consumption of recommended fuel at nominal capacity:

- wood: 2.4 kg.hod.<sup>-1</sup>
- lignite briquettes: 1.7 kg.hod.<sup>-1</sup>

Applicable standards: STN 06 1201, EN 12815, STN 73 4201, STN 73 4210, STN 92 0300

**3. INSTALLING THE COOKER**

Pursuing to the regulation Nr. 401/2007, all related drawing, security, and hygiene directives must be respected during installation.

Prior to connecting the cooker, make sure that the chimney draught is adequate. The flame of a burning paper or candle shall be draught towards the chimney opening. The cooker connection to the chimney flue must be as short as possible.

According to Slovak national standards STN 73 4210 and STN 73 4201, the connection of the cooker to the draught hole must be approved by a chimney-sweep company concerned.

Shall the direct connection of the cooker to the chimney flue be impossible, the respective flue pipes should be as short as possible and rise towards the chimney. Maximum flue pipes length is 1.5 m. In any case the bend pipe or the pipe connected to the draught shaft must be secured against loosening with a dowel. Smoke pipes and bend pipes connections must be firm and tight, the pipes being stuffed one into another at minimum 40 mm draught-wards. The chimney opening must be furnished with metal sleeve with a diameter corresponding to the one of the smoke pipes. See correct and incorrect connection of the cooker to the chimney in the picture no. 1.

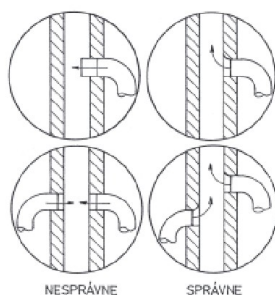


Fig. 1 Connection to the chimney  
incorrect                      correct

#### **4. SAFETY MEASURES**

The STN 92 0300 fire protection guidelines must be respected during installation.

If flammable construction materials and objects of flammability classes B, C1, or C2 by STN 73 0823 in proximity, the wood heater and the respective flue pipe must be installed in a safe distance which is at least 600 mm on the sides and 300 mm from the rear face of such objects.

The safety distance is double if the cooker with the flue way were in proximity of materials of flammability class C3. The same applies to cases when flammability is not proved.

The safety distance may be half if non-flammable insulating shade of minimum thickness 5 mm is installed leaving 25mm space between the shade and the protected flammable object.

If the floor is made of some flammable material, place the cooker on a non-flammable heat-isolation mount going beyond the wood heater's frontal face ground limit by 300 mm and by 100 mm for other faces.

The shade protecting the harmful object must go beyond the dimensions of the cooker and the smoke pipes by at least 150 mm on each side and by at least 300 mm over the top.

#### **5. RECOMMENDED FUEL**

Fuel recommended to be burnt in the cooker includes: lignite briquettes, dry hard wood.

**Caution:** Do never burn waste such as wall-paper, chipboards, or plastics! Also the following fuels are unacceptable: fine chips, bark and chipboard waste, slack coal, wet wood or impregnated wood.

#### **6. FIRST OPERATION**

Prior to the first operation, make sure that:

- 1) draught shaft is mounted on the cook-top
- 2) accessory equipment has been taken out of the ash box or the fireplace, the same applies to eventual transport security elements.

The cooker surface has been oiled for protection against corrosion; therefore wipe the cooker with a dry cloth prior to first operation.

Put fuel carefully in the cooker and heat the cooker with light fire. All materials must get used to heat gradually. Careful firing will prevent insulation to crack, lacquer to deteriorate and materials to strain. Possible smell of lacquer of protecting oil drying will fade soon.

#### **7. FIRING**

Put paper or firing cube on the grill, add wood chips or finely chopped wood of small pieces of briquettes atop. Open both air supply sliders, i.e.

- 1) rotary primary air slider on the ash box door and
- 2) secondary air slider in the ash space (next to ash box )

to the maximum position 1 (= open). Set the firing flap valve on 1 (= open). After firing the fireplace door must be shut. When the fire burns well add one dose of wood or briquettes through the fireplace door. At that moment ash box door must be kept shut.

#### **8. HEATING**

**In through of heating the oven's door must to be opened!**

Burning wood:

Nominal heating capacity can be obtained with 2-3 wood logs (about 2.4 kg). Ash box door must be kept shut. Use only primary air slider to burn fuel down. Shut the rotary primary air slider on the ash box door after approximately 10 minutes.

Burning down rate depends on local conditions including the chimney draught and air supply sliders positions.

Burning lignite briquettes:

Nominal heating capacity can be obtained with 3 lignite briquettes (approx. 1.7 kg).

Use the rotary primary air slider on the ash box door to control the fire. Ash box door must be kept shut.

Fuel	Maximum quantity of fuel for nominal heating capacity	Rotary primary air slider (air flow through grille)	Sliding secondary air slider
Wood	2 logs (approx. 2.4 kg)	open at 10 min, then closed (slightly open for firing)	fully open (slider pushed in completely)
Lignite briquettes	3 briquettes (approx. 1.7 kg)	fully open	open at 1/2

#### **9. COOKING**

Pots used for cooking should have a massive and flat bottom and a suitable lid. The cook-top lid must not be removed when cooking.

Firing flap valve must be set on position 1 (= open), oven door must be open.

Cooking: Wood is the most suitable fuel for cooking (temperature is maintained easier than with other fuels), cooking conditions are even better when small quantities of fuel are added during cooking. When wood is not available put several doses of briquettes in the fireplace to make abundant embers.

Fuel quantity: hard wood: approx. 1.1 kg, lignite briquettes: 1.1 kg.

Setting of primary and secondary air sliders is the same like for nominal heating capacity.

## **10. ROASTING AND BAKING**

Do not put aluminium paper, pots and pans on the bottom of the oven to prevent enamel from deteriorating due to heat accumulation. Fruit juice dripping from pans may leave irremovable spots on the enamel. The oven must be pre-heated. Pans with meals that need more space in height should be put on a grille on the bottom of the oven or slid in one of the lower tracks. Pans with flat meals should be slid in the bottom track. Do not use pans made of tinned (white) metal if possible.

Set the firing flap valve on 0.

Light fire should be kept to maintain a temperature of 180-200 °C. Adjust the air sliders and add small quantities of fuel.

For roasting and grilling greater fire is needed to maintain a temperature over 250°C. Exceptionally, long burning wood is the most suitable fuel for roasting and grilling.

The same instructions like those for cooking apply here except the firing flap valve which must remain shut (position 0). If needed temperature is impossible to be achieved with open slider then chimney draught is insufficient.

Flue way in the cooker needs to be cleaned. Also, make sure that all equipment connected to the same chimney is closed. If high temperature is still difficult to be obtained, ask your chimney-sweep.

Fuel quantity: hard wood: 1.1 kg, lignite briquettes: 1.1 kg.

Setting of primary and secondary air sliders is the same like for nominal heating capacity.

## **11. OPERATING NOTES**

The minimum operating chimney draught for trouble free operation is 10 ÷ 11 Pa. The cooker should be cleaned thoroughly and checked as needed and vermiculite replaced if deteriorated.

Service life of the cooker is longer with appropriate maintenance. Any cracking of the cooker when firing and cooling is not a defect.

## **12. ECONOMICAL OPERATION**

Economical heating does not mean less heat but less fuel cost. Economical and effective operation is at risk if the cooker is untight, e.g. untight draught shaft. Incorrectly installed smoke pipes may also show untightness. Therefore connection of the cooker directly to the chimney is the best solution.

The cross section of the chimney for the cooker is 15x15 cm. Store fuel on a dry place. Dry fuel burns better and gives more heat with low consumption.

Only acceptable fuels may be burn in the cooker. Follow the instructions in this manual for burning different fuels.

Do not add more fuel on the grille unless the first dose of fuel has not burnt well, otherwise you increase fuel consumption and vents are increasingly loaded with soot.

Observe flue gas in the chimney outlet to see whether they are well burnt. Dark, thick flue gas appears when fuel is charged incorrectly and light flue gas appears in a few minutes when fuel is charged correctly. No roaring sound can be heard in the cooker when heating is correct. Roaring indicates incorrect heating, heat leakage and presence of unburnt substances in the chimney.

If roaring appears (when heating in line with these instructions) in the cooker, adjust the chimney draught by reducing the supply of air in the fireplace.

After some time of heating fire may weaken in the cooker (usually in rooms with tight doors and windows) but it burns well when windows or doors are open. Too tight room or lack of oxygen may be the reason. The problem can be solved by opening a window or a door. The best way how to assure continuous intake of air in the room is to remove the sealing from the upper part of the window.

If the fire burns well after firing but degrades later, the grill may be charged with ash.

Bad burning is caused by:

- wet fuel,
- too thick fuel charge,
- poor fuel charge not covering the grille allowing cold air to flow around the charge,
- poor air supply into the fireplace or room.

Unless operated correctly the cooker may get loaded with soot and fine ash, therefore inside parts need to be cleaned from time to time in line with the instructions herein. Soot in the flue ways and under the cook-top is undesired heat insulation.

Optimum air humidity is needed to obtain good conditions in the room therefore it is recommended to use evaporators.

## **13. PRECAUTIONS**

The wood heater cannot be operated under conditions increasing the risk of generating flammable gases, fire or explosion risk (e.g. laying a floor with an adhesive etc.).

- **This instruction must be followed when operating the cooker.**
- **The cooker can be operated by adults only. It is unacceptable to let children in front of an operational wood heater.**
- **No flammable liquids are accepted for firing.**
- **IT IS STRICTLY FORBIDDEN TO INCREASE THE NOMINAL CAPACITY DURING THE OPERATION OF THE WOOD HEATER BY USING FLAMMABLE LIQUIDS OR BY OPENING THE ASHTRAY DOOR.**
- **No flammable objects should be put close to the ashtray door.**
- **Evacuate ash carefully and dispose it in non-flammable bins with lids.**
- **A defective cooker with risk of malfunction must not be operated. The user must have the cooker repaired by an expert before next operation.**
- **Accumulation of ash in the smoke pipe and in the bend pipe must be checked monthly at least and they must be cleaned when necessary.**
- **During operation, the cooker's function and fire security should be checked regularly. Fuel quantity in the fireplace, grille encumbrance with ash, regulation elements for combustion air, closure of the doors and cleanliness of the place need to be checked.**

**14. CLEANING AND MAINTENANCE**

Remove the remaining fuel from the fireplace after operation is finished.

Follow the instruction below to clean the cooker:

- take out the cook-tops and the lid from the cook-top frame to open the space above the oven and the fireplace;
- sweep soot from the vertical flue ways down to the bottom of the cooker;
- remove the oven, when the space under the oven is open, sweep soot into the ash box by using a brush and a shovel.

When the cooker is clean, put all the removed parts back to their places tightly.

**15. ACCESSORIES:**

- 1 enamel tin
- 1 enamel sheet for baking
- 1 nickel-plated grille
- 1 manipulating key
- 1 little rake
- 1 holder of smoke neck
- 1 lid of cook - top

**16. SPARE PARTS:**

- Cook-top
- Lid of cook - top
- Lid tittle
- Grille
- Firing flap valve
- Handle and ash and firing door lid
- Firebricks
- Vermiculite (above-the-oven space coating)
- Flue gas baffle above the fireplace
- Ashtray
- Cook-top seal
- Firing and ash door seal
- Oven seal

**GUARANTEE**

Shall any failure, malfunction, or surface defect occur on your cooker within the guarantee period do never repair it by yourself. After-sale service under guarantee can be done only by the manufacturer or authorised repair shops. Service out of guarantee is made by authorised service companies.

We guarantee the quality, function, and construction of the cooker for 2 years from the day of purchase: defects definitely occurred as a consequence of manufacturing defect will be remedied within short time at our cost under the condition that the cooker

- has been operated in conformity with operating instruction,
- has been connected to the chimney in conformity with applicable standards,
- has not been damaged mechanically by force,
- has not been subject to modifications, repairs and incompetent handling.

When making a complaint give your exact address and circumstances when the dysfunction occurred. We will deal with the complaint if you deliver the warranty certificate with the date of purchase and the sales point stamp along with the complaint.

Ask for legible warranty certificate at purchase. Our company will decide on method and place of reparation to be carried out.

**It is unacceptable to operate the appliance at extreme conditions, which means:**

- **fuel quantity exceeds the ordered quantity**
- **air supply exceeds the ordered quantity**
- **unacceptable fuel types are used**

**Heat overcharge shows in the following ways:**

- **deformation of cook-top**
- **firing door damage**
- **grille has burnt over**
- **refractory-bricks have cracked**

**The complaint will not be accepted by the manufacturer if the appliance has not been operated correctly!**

Exchange of the product or making the purchase contract void is subject to applicable dispositions of the Civil Code and the Complaints Order.

DE

**Aufstell- und Bedienungsanleitung für den Dauerbrandherd  
ÖKONOM 85/FIKO und ÖKONOM 75/FIKO  
geprüft nach DIN EN 12815**

Herzlichen Glückwunsch! Sie sind Besitzer eines THORMA-Herdes, eines Qualitätsproduktes. Bitte lesen Sie diese Bedienungsanleitung sorgfältig durch. Sie werden darin über Funktion und Handhabung dieses Herdes informiert, dadurch erhöhen Sie den Gebrauchswert des Gerätes und verlängern seine Lebensdauer, zusätzlich können Sie durch richtiges Heizen Brennstoff sparen und die Umwelt schonen.

Garantie auf unsere Produkte können wir nur dann gewähren, wenn Sie die nachfolgenden Richtlinien dieser Aufstellungs- und Bedienungsanleitung einhalten.

**1. Beschreibung**

Herde eignen sich hervorragend zum Kochen, Backen und Braten sowie auch zum Heizen von Wohn- und Arbeitsräumen. Der Ofenkörper besteht aus einer geschweißten Stahlkonstruktion, welche außen voll emailliert ist. Unten befindet sich auf dem Sockel ein ausziehbarer, auf Rollen gelagerter Holz-Kohle-Wagen, darüber seitlich der Aschekasten, auf diesem der Feuerraum. Daneben ist das Backrohr mit doppeltverglastem Sichtfenster angeordnet. Den oberen Abschluß bildet die Kochplatte aus Stahl. Eine Feuerraumseitenwand ist aus Gußeisen, sonst ist der Brennraum feuerfest ausschamottiert. Der Herd ist mit einem speziellen Rüttel- und Kipprost ausgestattet, dieser ermöglicht eine rasche und problemlose Entaschung. Der Ofen ist mit einer Sekundärluftführung versehen, womit ein hoher Wirkungsgrad erzielt und eine saubere Verbrennung erreicht wird.

Abmessungen:

Modell	ÖKONOM 75	ÖKONOM 85
Höhe:	850 mm	850 mm
Breite:	755 mm	850 mm
Tiefe:	600 mm (ohne Griffe)	600 mm (ohne Griffe)

**1. Allgemeine Hinweise, Sicherheitshinweise**

Zur Aufstellung Ihres Herdes sind die brandschutzbehördlichen Vorschriften bzw. die am Aufstellungsort verbindliche Landesbauverordnung zu beachten, als auch Absprache mit dem zuständigen Bezirksschornsteinfegermeister (Bezirks-kaminkehrermeister) zu halten. Dieser prüft auch den vorschriftsgemäßen Anschluß des Gerätes am Kamin.

Für Ihren Herd wurden alle vom Gesetzgeber verordneten Prüfungen durchgeführt. Die vorgeschriebenen Kennwerte bezüglich feuerungstechnischem Wirkungsgrad und Rauchgasemissionen werden eingehalten.

Ihr in dieser Anleitung beschriebener Herd ist gemäß DIN 18880-1 und DIN 18880-2 ("Dauerbrandherde für feste Brennstoffe") geprüft (Bauart 1). Herde (siehe Geräteschild) dürfen an einen mehrfach belegten Schornstein angeschlossen werden, falls die Schornsteinabmessung nach DIN 4705 Teil 2 dies zuläßt.

Die Heiztür darf nur zur Brennstoffaufgabe und zum Reinigen geöffnet werden. Die Aschetür darf nur zum Entaschen bzw. Reinigen des Herdes, zum Anzünden und teilweise zum Heizen mit Torf (siehe Kapitel 5.5.) geöffnet werden. Während des Betriebes darf die Aschetür aus Sicherheitsgründen nicht geöffnet werden. Auch nach dem Betrieb müssen Feuerraum- und Aschetüren geschlossen bleiben! Nur so kann eine Beeinträchtigung anderer Feuerstätten und damit verbundene Gefahren vermieden werden.

Eine ausreichende Frischluftzufuhr zum Aufstellungsraum muß gewährleistet sein. Daher dürfen Fenster und Türen zum Aufstellungsraum nicht zu dicht sein.

Durch den Abbrand von Brennmaterialien wird Wärmeenergie frei, die zu einer starken Erhitzung der Oberflächen des Heizgerätes (Vorderwand, Seitenwände, Kochplatte, Rauchrohre) führt. Die Berührung dieser Teile ohne entsprechende Hitzeschutzhandschuhe ist zu unterlassen! Jedoch werden die Heiz- und Backrohtüren stets durch Luft gekühlt und haben daher eine niedrige Oberflächentemperatur.

Tragen Sie beim Beheizen Ihres Herdes keine weiten oder leicht brennbaren Kleidungsstücke!

Der Herd darf nur nach dieser Bedienungsanleitung bedient werden! Das Gerät darf nicht überheizt werden! Vor allem in der Übergangszeit sollte entsprechend weniger Brennstoff eingefüllt werden. Die Herdplatte darf auch nicht zum Glühen gebracht werden, außerdem ist das Überkochen von Speisen zu vermeiden.

Verwenden Sie nur die in Kapitel 5.1 empfohlenen Brennstoffe! Außerdem dürfen im Holz-Kohle-Wagen keine feuergefährlichen Stoffe und kein Papier gelagert werden.

Der Herd und das Abgasrohr müssen regelmäßig gereinigt werden (siehe Kapitel 5.12. Reinigung und Pflege)!

Der Herd darf nur von Erwachsenen beheizt werden. Achten Sie darauf, daß Kinder nie alleine beim Herd verweilen (Lassen Sie den Herd nicht längere Zeit ohne Aufsicht). Kinder erkennen die Gefahren nicht, die beim Umgang mit dem Gerät entstehen können.

**2. Daten zur Berechnung der Schornsteinabmessung nach DIN 4705 Teil 2, Heizleistung und Raumheizvermögen**

	Scheitholz	Braunkohle- briketts
Abgasmassenstrom [g/s]:	9,2	15,8
Abgastemperatur gemessen im Abgasstutzen[°C]:	273,5	255,5
Förderdruck bei Nennwärmeleistung [Pa]:	10	11
Förderdruck bei 0,8 x NWL[Pa]:	8	9

Heizleistung und Raumheizvermögen:

Nennwärmeleistung: 7 kW,

Wärmeleistungsbereich: 3,5 bis 7 kW,

Brennstoffwärmeleistung: 7 kW,

anderer Feuerstätten und damit verbundene Gefahren

Raumheizvermögen nach DIN 18893:

	Dauerheizung <sup>1)</sup>	Zeitheizung <sup>2)</sup>
günstige Heizbedingungen	205 m <sup>3</sup>	124 m <sup>3</sup>
weniger günstige Heizbedingungen	120 m <sup>3</sup>	73 m <sup>3</sup>
ungünstige Heizbedingungen	82 m <sup>3</sup>	48 m <sup>3</sup>

1) Dauerheizung in Gebäuden, deren Wärmedämmung nicht den Anforderungen der Wärmeschutzverordnung entspricht.

2) Bei Zeitheizung, wobei die regelmäßige Unterbrechung des Heizbetriebs nicht länger als 8 Stunden dauert.

Bemerkung: Bei Gebäuden mit Wärmeschutz ergeben sich höhere Werte für das Raumheizvermögen.

Raumheizvermögen nach ÖNorm M 7521: 180m<sup>3</sup>.

### 3. Aufstellung des Herdes und Anschluß an den Schornstein

Die Verpackung Ihres neuen Herdes schützt diesen optimal gegen Beschädigung. Beim Transport können jedoch trotzdem Schäden am Ofen oder Zubehör entstanden sein. Bitte prüfen Sie daher Ihren Herd nach dem Auspacken auf Schäden und Vollständigkeit! Melden Sie Mängel umgehend Ihrem Ofenfachhändler!

Tips zur Entsorgung des Verpackungsmaterials finden Sie in Kapitel 8.

Zum Anschluß an den Kamin sollte ein Rauchrohr von 120mm Durchmesser verwendet werden. Der Herd sollte nur von einem Fachmann angeschlossen werden. Vor dem Anschluß ist der Schornsteinfegermeister zu Rate zu ziehen.

Um den Abgasstutzen richtig nach oben anzuschließen, gehen Sie bitte folgendermaßen vor: Deckel der Abgasöffnung in der Kochplatte entfernen und Abgasstutzen montieren.

Zum Anschluss des Abgasstutzens an die Rückseite gehen Sie bitte folgendermaßen vor: Abdeckung der Abgasöffnung an der Rückseite zu entfernen und Abgasstutzen montieren.

Wenn Sie den Abgasstutzen an die Seitewand anschließen möchten, gehen Sie bitte folgendermaßen vor: Abdeckung der Abgasöffnung seitlich entfernen und Abgasstutzen montieren.

Das Rauchrohr muß sowohl mit dem Abgasstutzen als auch mit dem Schornstein fest und dicht verbunden werden. Diese feste und dichte Verbindung ist auch für die Rauchrohrelemente untereinander zwingend notwendig. Das Rauchrohr sollte am Abgasstutzen durch Verstiften gesichert werden. Es ist unbedingt darauf zu achten, daß das Rauchrohr nicht in den freien Querschnitt des Schornsteines hineinragt. Zur Einführung in den Schornstein wird die Verwendung eines Mauerfutters empfohlen.

Bei längerer Abgasrohrführung müssen waagrechte Strecken und Verengungen vermieden werden; es empfiehlt sich eine in Richtung Schornstein ansteigende Verrohrung. Bei geringem Kaminzug raten wir, den Ofen über ein mehr als 1 m langes senkrecht Rohrstück anzuschließen.

Bitte beachten Sie dazu die Hinweisskizzen am Ende dieser Bedienungsanleitung!

#### **Sicherheitsabstände (Mindestabstände):**

Bei der Aufstellung des Herdes müssen grundsätzlich die behördlich angeordneten Brandschutzbestimmungen befolgt werden. Fragen Sie diesbezüglich Ihren Bezirksschornsteinfegermeister bzw. Bezirkskaminkehrermeister.

Als Mindestentfernung von brennbaren oder temperaturempfindlichen Materialien (z.B. Möbel, Tapete, Holzverkleidung) bzw. von tragenden Wänden muß 20 cm eingehalten werden.

Bei brennbaren oder temperaturempfindlichen Fußbelägen muß das Gerät auf eine nicht brennbare Bodenschutzplatte (z.B. Stahlblech) gestellt werden. Seitlich sollte diese Platte den Herd um wenigstens 10cm und nach vorne um zumindest 50 cm überragen.

### 4. Betrieb des Herdes

Bitte beachten Sie die in Kapitel 2 dargestellten Sicherheitshinweise.

#### **4.1 Geeignete Brennstoffe**

Der Ofen ist für raucharme Brennstoffe geeignet. Nachfolgende Brennstoffe sind zur Verbrennung zugelassen:

Braunkohlenbriketts, Hartholz lufttrocken, Weichholz lufttrocken.

#### **Achtung:**

Zum Heizen dürfen niemals Abfälle, wie Tapeten, Spanplattenreste, Kunststoffe verwendet werden! Weiter unzulässige Brennstoffe sind zum Beispiel Feinhackschnitzel, Rinden- und Spanplattenabfälle, Kohlegrus, feuchtes oder mit Holzschutzmitteln behandeltes Holz. Papier und Pappe darf nur zum Anheizen verwendet werden.

#### **4.2 Erste Inbetriebnahme Ihres Herdes**

Vor der ersten Inbetriebnahme sind eventuell vorhandene Aufkleber zu entfernen sowie alle Zubehörteile aus dem Aschekasten bzw. dem Feuerraum zu entnehmen, dies gilt auch für möglicherweise vorhandene Transportsicherungen.

Die Oberflächen des Herdes wurden zum Schutz gegen Rost leicht eingeölt, daher sollte das Gerät vor dem ersten Anheizen mit einem trockenen Tuch abgerieben werden.

Der Herd muß beim ersten Anheizen behutsam mit Brennstoff bestückt und auf kleiner Flamme "ingebrannt" werden. Alle Materialien müssen sich langsam an die Wärmeentwicklung gewöhnen. Durch vorsichtiges Anheizen vermeiden Sie Risse in den Isoliersteinen, Lackschäden und Materialverzug. Eine eventuelle Geruchsbildung durch Nachrocknung der Schutzlackierung bzw. Schutzölung verliert sich nach kurzer Zeit.

#### **4.3 Anzünden**

Legen Sie zuerst unbeschichtetes Papier, Pappe oder einen Anzündwürfel auf den Rost, darauf Reisig oder feinspäniertes Holz und schließlich Kleinholz oder Brikettstücke. Beide Luftregulierschieber (Primärluftschieber an der Aschetür und Sekundärluftschieber neben der Aschetür) sind maximal zu öffnen (siehe Abbildung Seite 7). Der Rauchabzugsklappe wird auf -O- gestellt. Nach dem Anzünden ist die Feuerraumtür zu schließen. Wenn das Feuer richtig entfacht ist, legen Sie etwas Holz bzw. Briketts einlagig durch die Heiztür nach. Die Aschetür ist dabei stets geschlossen zu halten..

#### 4.4 Heizen mit Holz

Die Aschetür ist stets geschlossen zu halten. Steuern Sie den Abbrand ausschließlich über die Sekundärluftregelung neben der Aschetür. Primärluftschieber in der Aschetür nach ca. 10 Minuten schließen.

Für Teillastbetrieb bringen Sie den Luftschieber in eine Zwischenstellung. Die Abbrandgeschwindigkeit richtet sich nach den örtlichen Zugverhältnissen und der Stellung der Luftregulierung.

Für Dauerbrandbetrieb stellen Sie - je nach Förderdruck - die Luftregulierung fast oder ganz auf geschlossen. Nach dem Befüllen des Feuerraumes soll die Luftregulierung sofort auf Dauerbrandposition gestellt werden. Beachten Sie bitte, daß bei Holz nur ein eingeschränkter Dauerbrandbetrieb möglich ist.

#### 4.5 Heizen mit Braunkohlebrikett (vgl. S.7)

Die Nennwärmeleistung wird mit 3 Stück Braunkohlebrikett (ca. 1.7 kg) erreicht. Achten Sie beim Heizen mit Kohle besonders auf eine sorgfältige Einstellung der Luftregulierung, da bei zuviel Primärluft die Gefahr der Überhitzung des Herdes besteht.

**Achtung!** Für den Betrieb mit Braunkohlebrikett ist der Sekundärluftschieber halb zu schließen. Die Regelung erfolgt hauptsächlich mit dem Primärluftschieber in der Aschetür. Die Aschetür sollte stets geschlossen gehalten werden.

Die Rostlänge ist speziell für Holz ausgelegt und daher etwas größer, als für den hochwertigen Brennstoff Kohle notwendig.

Befüllen Sie den Herd in mindestens 2 Raten im Abstand von ca. 15 Minuten.

Für Teillastbetrieb bringen Sie die Luftregulierung in eine Zwischenstellung. Die Abbrandgeschwindigkeit richtet sich nach den örtlichen Zugverhältnissen und der Stellung der Luftregulierung.

Für Dauerbrandbetrieb stellen Sie - je nach Förderdruck - die Luftregulierung fast oder ganz auf geschlossen. Diese Minimalstellung jedoch erst wählen, wenn die Brennstofffüllung bis nach oben hin gezündet hat.

Besonders geeignet für Dauerbrandbetrieb sind Braunkohle- und Steinkohlebriketts.

#### 4.6 Betriebsweise in der Übergangszeit und im Sommer

In der Übergangszeit bzw. bei höheren Außentemperaturen kann es bei plötzlichem Temperaturanstieg unter Umständen zu Störungen des Schornsteinzuges (Kaminzuges) kommen, so daß die Abgase nicht vollständig abgezogen werden. Daher sollte der Herd in der Übergangszeit grundsätzlich nur mit möglichst geringer Brennstoffmenge betrieben werden, um in solchen Fällen durch Öffnen der Luftschieber die Verbrennung und Zugsituation verbessern zu können. Außerdem können Sie auch durch häufigeres Abrütteln die Zugsituation verbessern.

Achten Sie besonders darauf, daß Türen und Luftschieber von anderen am selben Schornstein angeschlossenen Feuerstätten verschlossen sind.

#### 4.7 Abrütteln der Asche, Ascheentleerung

Vor jeder Brennstoffauflage die Rosteinrichtung mit der Rüttelstange (Hebel unterhalb der Heiztür) abrütteln. Nach längerem Brennen - zumindest einmal täglich - ist die Asche in den Aschekasten abzuführen und der Aschekasten zu entleeren. Ziehen Sie dazu den Griff der Rüttelstange vollständig heraus und drehen Sie anschließend diesen Griff um ca. 180° (Rüttel- und Kipprost), dabei wird der Rost gekippt und die Asche entlädt sich vollständig in den Aschekasten. Am günstigsten erfolgt dies morgens nach der Gluthaltung in relativ kaltem Zustand des Ofens. Achten Sie bitte darauf, daß der Aschekasten nicht zuviel Asche enthält.

#### Achtung:

Vor Ascheentleerung bitte stets prüfen, ob keine Restglut in der Asche ist. Auch wenn die Asche kalt ist, können sich eventuell noch Glutreste darin befinden und zu einem Brand im Abfallbehälter führen.

Holz-asche kann kompostiert und als Dünger verwendet werden.

#### 4.8 Kochen

Die verwendeten Töpfe sollten einen massiven und ebenen Boden haben sowie mit einem passenden Deckel versehen sein. Der Kochlochdeckel darf zum Kochen nicht aus der Kochplatte entfernt werden.

Kochen über Füllfeuerung: Am besten Holz verwenden (mit Holz ist die Temperatur besser zu halten, als mit anderen Brennstoffen) und während des Kochvorganges öfter nachlegen. Wenn kein Holz verfügbar ist, die Feuerung in mehreren Raten mit Kohle oder Torf füllen, damit ein hochliegendes Glutbett entsteht. Die Rauchabzugsklappe kann geschlossen bleiben. Die Luftregulierung öffnen und nach dem Kochen wieder der gewünschten Heizleistung anpassen.

#### 4.9 Braten und Backen

Allgemeines:

Legen Sie den Backrohrboden nicht mit Alufolie aus und stellen Sie keine Pfannen, Töpfe etc. auf den Boden, da sonst die Emaille durch Hitzestau beschädigt werden kann. Obst-säfte, die vom Backblech tropfen, können auf der Emaille Flecken hinterlassen, die unter Umständen nicht mehr entfernt werden können. Das Backrohr zum Braten und Backen immer vorheizen. Hohe Kuchen und Braten auf dem Backrost am Boden des Backrohrs oder in die untere Einschubleiste einschieben. Flachkuchen und Flachgebäck auf dem Blech in die untere Einschubleiste einschieben. Möglichst keine Weißblechformen verwenden.

Zum Backen bei ca. 180 - 200 Grad C sollte ein kleineres Feuer unterhalten werden. Die Luftregulierung dann entsprechend zurückstellen und nur wenig Brennstoff auflegen.

Zum Braten ist ein lebhaftes Feuer notwendig, um die Backrohrtemperatur über 250 ° C halten zu können. Besonders geeignet als Heizmaterial beim Braten ist der langflammige Brennstoff Holz.

Hier gilt dasselbe, wie unter Kochen beschrieben, jedoch muß die Rauchgasklappe geschlossen bleiben. Wenn die erforderliche Backrohrtemperatur bei offener Luftregelung nicht erreicht wird, liegt ein zu schwacher Kaminzug vor. In diesem Fall kann die Aschetür zur Verbesserung der Verbrennung etwas geöffnet werden.

Das Thermometer in der Backrohrscheibe zeigt Ihnen nur ca. Wert in Toleranz von  $\pm 15$  °C.

#### 4.10 Emissionsbegrenzung

Der Herd ist für die Verbrennung von raucharmen Brennstoffen gebaut. Nach dem Bundes-Immissionsschutzgesetz darf z.B. folgendes nicht verbrannt werden:

feuchtes oder mit Holzschutzmittel behandeltes Holz,  
 Feinhackschnitzel,  
 Papier und Pappe (außer zum Anzünden),  
 Rinden oder Spanplattenabfälle,  
 Kunststoffe oder sonstige Abfälle.

Das Verbrennen dieser Stoffe schadet nicht nur der Umwelt, auch die Lebenszeit Ihres Herdes wird verkürzt, zudem kann auch der Kamin beschädigt werden. Auch regelmäßige Reinigung und Pflege Ihres Ofens vermindert die Schadstoffemissionen. An Holzscheiten anhaftende Rinde darf selbstverständlich verbrannt werden.

#### 4.11 Reinigung und Pflege

Mindestens einmal jährlich, im Bedarfsfall auch öfter sollten Sie Ihren Herd im kalten Zustand reinigen und pflegen. Sie sollten wie folgt vorgehen: Bei oben angeschlossenen Herden zuerst das Rauchrohr entfernen und im Freien kehren. Danach die Herdplatte abnehmen und kehren, die Ablagerungen von der Backrohroberseite, den seitlichen Zugschächten sowie den seitlichen Anschlüssen kehren oder absaugen. Um die unteren Züge des Backrohrs reinigen zu können, müssen Sie zuerst die Backrohrtüre entfernen. Dazu die Backrohrtüre vollständig öffnen, die Metallbügel auf den Scharnieren nach oben aufklappen und anschließend die Backrohrtüre langsam schließen. Dabei lösen sich die Scharniere aus der Arretierung und man kann die Türe abnehmen. Nun löst man die beiden Schrauben des Putzdeckels und nimmt diesen ab. Mittels der mitgelieferten Kratze reinigt man die unteren Seiten des Backrohrs. Sodann öffnet man die hintere Putztüre des Herdes und entfernt auch die Ablagerungen in den rückwärtigen Zügen. Danach schließen sie wieder beide Putztüren und haken die Scharniere der Backrohrtür wieder ein. Die Türe langsam ganz öffnen, die beiden Metallbügel zurückklappen und Backrohrtüre schließen. Die Herdplatte wieder auflegen und gegebenenfalls das Rauchrohr wieder anschließen.

Die lackierte Herdplatte nicht vor der ersten Inbetriebnahme reinigen! Die Herdplatte wurde im Werk sandgestrahlt und mit einem hoch hitzebeständigen Speziallack versehen, dessen Metallpigmente sich bei der ersten Inbetriebnahme des Herdes durch die Temperatureinwirkung auf die Herdplatte mit dem Metall verbinden. Zur regelmäßigen Reinigung dürfen keine Scheuermittel und keine kratzenden Gegenstände verwendet werden. Zur weiteren Pflege der Herdplatte empfehlen wir bei längerem Stillstand des Gerätes, die Herdplatte mit einem säurefreien Öl (Nähmaschinenöl), um Flugrost zu verhindern, zu behandeln.

Die äußeren Emailleflächen nur bei kaltem Herd mit klarem Wasser reinigen. Bei starker Verschmutzung Seifenlauge verwenden. Fettspritzer lassen sich am leichtesten mit warmem Spülwasser, im handwarmen Zustand des Herdes, entfernen. Verwenden Sie niemals aggressive Reinigungsmittel und denken Sie beim Kauf an die Umwelt. Backblech und Rost sollten nur mit heißem Wasser, ohne Spülmittelzusatz, gereinigt werden.

#### 4.12 Störungen und ihre Ursachen

##### Bei Inbetriebnahme:

1. Geruchsbelästigung durch Schutzlackierung:

Bei neuen Heizgeräten entwickelt die Schutzlackierung eine gewisse Rauchentwicklung, sowie Geruchsbelästigung. Den Herd ca. 1 Std. mit geringer Leistung und danach bei geöffneten Fenster über mehrere Stunden bei geöffnetem Luftschieber betreiben (siehe Kapitel 5.2 Erst Inbetriebnahme Ihres Herdes).

2. Herd heizt zu wenig:

Die Höhe des Mindestförderdrucks (Kaminzug) entnehmen Sie Kapitel 3. Prüfen Sie die Dichtheit des Schornsteins (sind alle Kehrtüren geschlossen?) und der Rauchrohrverbindungen vom Herd zum Schornstein. Kontrollieren Sie auch andere am Schornstein angeschlossene Feuerstätten, ob bei diesen alle Bedientüren geschlossen und auch hier alle Rauchrohre dicht verbunden sind.

**Achten Sie außerdem immer auf genügend belüftete Räume !**

3. Herd heizt zu stark:

Überprüfen Sie ob die Heiz- und Aschetüren dicht schließen und die Dichtungen nicht beschädigt sind.

##### Im Normalbetrieb:

1. Herdleistung läßt sich nicht genügend klein stellen (kein Dauerbrand möglich):

Entweder haben Sie die Luftregelung zu weit offen oder im Kamin herrscht ein zu großer Förderdruck (Kaminzug über 12 Pa bzw. 0,12 mbar). Überprüfen Sie weiters ob die Heiz- und Aschetüren dicht schließen und die Dichtungen nicht beschädigt sind.

2. Der Herd bringt nicht genügend Leistung:

a) Die Rauchgaszüge des Herdes und des Abgasrohres überprüfen und den Ruß und die Asche entfernen (siehe Kapitel 5.12. Reinigung und Pflege).

b) Zuviel Asche bzw. Schlacke kann den Zutritt von genügend Verbrennungsluft durch den Rost behindern. Rütteln Sie den Rost regelmäßig ab. Wichtig! Den Aschekasten täglich entleeren (siehe Kapitel 5.8. Abrütteln der Asche, Ascheentleerung).

3. Abgase treten aus:

a) Durch zu geringen Kaminzug ( Förderdruck ) oder

b) durch zu dichte bauliche Gegebenheiten ( Fenster und Türen ) oder Entlüftungen kann es zu Störungen kommen. Ziehen Sie Ihren Schornsteinfeger zu Rate.

4. Schlackenbildung:

Durch Überlastung beim Heizen mit offener Aschentüre oder durch schlechten Brennstoff kann es zu Schlackenbildung kommen.

5. Verpuffung:

Durch zeitweiligen Stau oder Rückstrom im Schornstein, oder verstopfte Züge kann es zu Verpuffungen kommen. Siehe auch unter Punkt 3.

6. Keine Unterhitze im Backrohr



Achten Sie darauf, daß beim Braten und Backen, die Rauchgasklappe immer auf **-Z-** steht, da Sie sonst keine Unterhitze für Ihr Brat- bzw. Backgut haben. Weiters muß bei schlechter Brat- und Backleistung überprüft werden, ob die hintere Putztüre unter dem Backrohr geschlossen ist.

## 5. Garantie

### 5.1 Allgemeines

THORMA übernimmt für dieses Gerät in Rahmen der Gewährleistungsrichtlinien 2 Jahr Garantie, ausgenommen davon sind Teile, welche direkt dem Feuer ausgesetzt sind (Verschleißteile). Die Garantie beginnt mit dem Tag der Lieferung. Als Nachweis ist die Rechnung vorzulegen.

**Bitte haben Sie Verständnis dafür, daß der Besuch des Kundendienstes auch während der Garantiezeit nicht kostenlos erfolgen kann, wenn das Gerät aufgrund falscher Bedienung nicht ordnungsgemäß arbeitet.**

### 5.2 Gewährleistungsrichtlinien

1. THORMA übernimmt die Garantie für die Dauer zweites Jahres ab Lieferung an den Endabnehmer gerechnet für

- einwandfreie, dem Zweck entsprechende Werkstoffbeschaffenheit und Verarbeitung,
- fachgerechten Zusammenbau,
- Einhaltung der Nennheizleistung (Watt) nach DIN 18891 und des Raumheizvermögens nach DIN 18893 (siehe Geräteschild, Technische Daten auf dem beigelegten Geräteblatt oder Katalogangaben).

Die Gewährleistungen a) bis c) erstrecken sich auf unentgeltliche Instandsetzung des Gerätes bzw. der beanstandeten Teile. Anspruch auf kostenlosen Ersatz besteht nur für Teile, die Fehler im Werkstoff und in der Werkarbeit aufweisen. Weitergehende Ansprüche sind ausgeschlossen.

2. THORMA übernimmt keine Garantie für Schäden und Mängel an Geräten oder deren Teile, die verursacht sind durch:

- F äußere, chemische oder physikalische Einwirkungen bei Transport, Lagerung, Aufstellung und Benutzung des Gerätes (z.B. Abschrecken mit Wasser, überkochende Speisen, Kondenswasser, Überhitzung aufgrund ordnungswidriger Bedienung (z.B. offene Aschentür)), auch Haarrißbildung bei emaillierten Teilen ist kein Qualitätsmangel,
- F falsche Größenwahl des Ofens,
- F Nichtbeachtung der jeweils geltenden baurechtlichen Vorschriften,
- F Fehler bei Aufstellung und Anschluß des Gerätes,
- F ungenügenden oder zu starken Schornsteinzug,
- F unsachgemäß ausgeführte Instandsetzungsarbeiten oder sonstige, insbesondere nachträgliche Veränderungen an der Feuerstätte oder Abgasleitung (Ofenrohr und Schornstein),
- F Verwendung ungeeigneter Brennstoffe,
- F falsche Bedienung; Überlastung der Geräte (siehe Bedienungsanleitung des Herstellers),
- F Verschleiß der den Flammen unmittelbar ausgesetzten Teile aus Eisen oder Schamotte, soweit sie nicht unter die Gewährleistung (1a) fallen,
- F unsachgemäße Behandlung,
- F ungenügende Pflege, Verwendung ungeeigneter Putzmittel.

**Es ist unzulässig, den Verbraucher bei thermischer Überlastung zu betreiben, d.h.:**

- die Menge des verwendeten Brennstoffes wird grösser als ist vorgeschrieben
- die Menge der Verbrennungsluft wird grösser als ist vorgeschrieben
- Verwendung des unzulässigen Brennstofftypes

**Thermische Überlastung kann sich folgend zeigen:**

- durch Beschädigung der Heiztür
- durch Rostdurchbrennen
- durch Brechen der Schamottesteine
- durch Emailbersten am Plattenrahmen

**Im Falle des schlechten Betriebes, akzeptiert der Hersteller keine Verbraucherreklamation!**

### 5.3 Beanstandungen

Beanstandungen bitten wir ausschließlich Ihrem Fachhändler vorzubringen. Nennen Sie hierbei unbedingt die Typen- und Herstellnummer Ihres Herdes. Diese Angaben finden Sie auf dem Typenschild des Gerätes (auf der Rückseite des Gerätes).

## 6. Hinweis für Ersatzteilbestellungen

Bei Ersatzteilbestellungen bitten wir Sie, die Typen- und Herstellnummer Ihres Herdes vollständig anzugeben. Diese Angaben finden Sie auf dem Typenschild des Gerätes (auf der Rückseite des Gerätes).

## 7. Entsorgung der Verpackung

Die Verpackung ihres Herdes ist weitgehend umweltneutral. Das Holz der Verpackung ist nicht oberflächenbehandelt und kann zerkleinert verheizt werden. Karton, Stahlbänder und Folien (Polypropylen PP) können problemlos der kommunalen Reststoffverwertung zugeführt werden.

Brennstoffe	maximale Brennstoffmenge	Primärluftschieber(Luftstrom durch den Rost)	Sekundärluftschieber
Scheitholz	2 Scheiter ca 2,4 kg	10 Minuten lang offen,danach aufgemacht	Luftschieber ganz ausgezogen
Braunkohlebriketts:	3 Brikettsca. 1,7 kg	voll aufgemacht	Luftschieber ½ ausgezogen

SK

**Návod na inštaláciu a obsluhu sporáka na tuhé palivo  
ÖKONOM 85/FIKO a ÖKONOM 75/FIKO  
testovaného podľa STN EN 12815**

**1. VŠEOBECNE**

Sporák na tuhé palivo je tepelný spotrebič určený na varenie a pečenie v domácnostiach. Je konštruovaný na spaľovanie dreva a hnedouhoľných brieket spôsobom prehorievania a je vhodný aj na spaľovanie hnedého uhlia. Sporák môže byť inštalovaný do obyčajného prostredia definovaného STN 33 0300.

Sporák bol skúšaný podľa STN EN 12815 s palivom drevo a hnedouhoľné briekety. Splňuje podmienky tejto normy.

Všetky miestne predpisy, vrátane predpisov, ktoré sa týkajú národných noriem, musia byť pri montáži dodržané.

Pred postavením sporáka je nutné informovať príslušného kominárskeho majstra, ktorý ako odborník skontroluje správne pripojenie sporáka na komín.

Sporák musí byť inštalovaný na podlahách s odpovedajúcou nosnosťou. Pri inštalácii je nutné dbať na zaistenie dostatočného prístupu na čistenie sporáka, dymovodu a komína.

Sporák musí byť pri prevádzke, ale aj mimo nej uzavretý, lebo inak sú ďalšie spotrebiče na komín výrazne ovplyvnené. Príkladacie dvierka smú byť otvárané len na dodávku paliva.

**POZOR:** pre reklamáciách alebo objednávkach náhradných dielov uvádzajte vždy názov, typ a výrobné číslo uvedené na údajovom štítku.

**2. TECHNICKÝ POPIS, TECHNICKÉ ÚDAJE**

Sporák je na komín napojiteľný z bočnej, zo zadnej alebo vrchnej časti.

Vyrába sa v pravostrannom a ľavostrannom vyhotovení.

Výrobca si vyhradzuje právo na technické zmeny na výrobku.

		ÖKONOM 85/FIKO	ÖKONOM 75/FIKO
Menovitý tepelný výkon [kW] (letný a zimný režim)	drevo	7,0	
	hnedouhoľné briekety	7,0	
Tepelný tok do priestoru [kW]		7,0	
Účinnosť pri menovitom výkone [%]	drevo	77,2	
	hnedouhoľné briekety	65,5	
Prevádzkový ťah komína [Pa]		drevo = 10, hnedouhoľné briekety = 11	
Hlavné rozmery [mm]:			
- šírka		850	755
- hĺbka (bez rukovätí)		600	600
- výška (bez namontovaného dymového hrdla)		850	850
Rozmery rúry na pečenie [mm]:			
- šírka		334	
- hĺbka		455	
- výška		234	
Plocha varnej platne [m <sup>2</sup> ]		0,34	
Priemer dymového hrdla [mm]		120	
Výška po spodný okraj dymového hrdla pri umiestnení vzadu a na boku [mm]		641	
Objem popolovej krabice [dm <sup>3</sup> ]		7,8	
Hmotnosť cca [kg]		122 ÷ 126	120 ÷ 124
Doporučené palivo: -suché tvrdé drevo (buk, dub) – výhrevnosť cca 15 MJkg <sup>-1</sup> -hnedouhoľné briekety – palivo I. triedy, skupina C, výhrevnosť 20 ÷ 23 MJkg <sup>-1</sup>			
Približná spotreba doporučeného paliva pri menovitom výkone [kg hod <sup>-1</sup> ]:			
- drevo		2,4	
- hnedouhoľné briekety		1,7	
Vykurovací schopnosť [m <sup>3</sup> ]:			
- priaznivý typ konštrukcie stavby		> 205	
- menej priaznivý typ konštrukcie stavby		120	
- nepriaznivý typ konštrukcie stavby		82	
Normy: STN EN 12815, STN 06 1201, STN 73 4201, STN 73 4210, STN 92 0300			

### 3. INŠTALÁCIA

Pri inštalácii dodržať všetky príslušné projektové, bezpečnostné a hygienické smernice v zmysle vyhlášky č. 401/2007.

Sporák je vhodný pre pripojenie viacnásobne obsadených komínov, to znamená, že na komín, na ktorom je pripojený sporák, smie byť pripojených viac spotrebičov.

Údaje pre výpočet komína (pri menovitom tepelnom výkone):

ÖKONOM /FIKO		
Palivo	Drevo	Hnedouhoľné brikety
Hmotnostný prúd spalín [ $gs^{-1}$ ]	9,2	15,8
Priemerná teplota spalín za odťahovým hrdlom [ $^{\circ}C$ ]	273,5	255,5
Ťah pri menovitom tepelnom výkone [Pa]	10	11
Min. ťah pri menovitom tepelnom výkone [Pa]	8	9

Pred pripojením sporáka sa presvedčte, či je dostatočný ťah v komíne. Plameň zapáleného papiera alebo sviečky má byť vtiahnutý do komínového otvoru. Sporák musí byť pripojený na komínový sopúch najkratšou cestou. Sporák musí byť na komínový prieduch vždy pripojený so súhlasom príslušného kominárskeho podniku v súlade s STN 73 4210 a STN 73 4201.

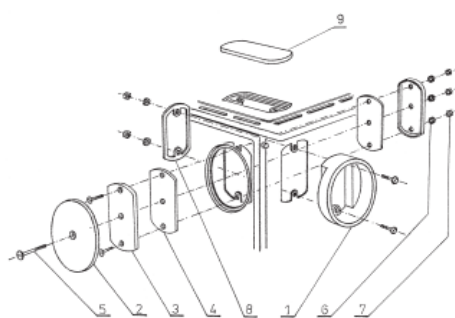
Keď nemôže byť sporák pripojený na komínový sopúch bezprostredne, má byť príslušný dymovod v daných možnostiach čo najkratší a smerom ku komínu stúpať. Dymovody môžu byť max. 1,5 m dĺžky. V každom prípade je potrebné dymové koleno alebo rúru nasadené na odťahové hrdlo poistiť proti uvoľneniu kolíkom. Dymové rúry a kolená musia byť medzi sebou a sporákom pevne a tesne spojené a zasunuté do seba na dĺžku min. 40 mm v smere komínového ťahu. Otvor komína musí byť opatrený plechovým púzdrom, ktorý svojim priemerom zodpovedá priemeru použitých dymových rúr. Správne a nesprávne pripojenie sporáka na komín je znázornené na obr. č. 1.

Odťahové hrdlo (1) namontujte na dymový vývod, ktorý Vám najlepšie vyhovuje. Ak ho chcete namontovať na bočnú alebo zadnú stenu, odstráňte súčiastky z dymového otvoru. Veko (2) na vonkajšej bočnici a veko (3) s tesnením (4) na vnútornej bočnici alebo zadnej stene sú spojené v jeden celok pomocou skrutkového spoja (5,6,7.), čo je potrebné odmontovať. Odporúčame pritom použiť tesniaci tmel z jemnej šamotovej múčky rozobrený vodným sklom na utesnenie odťahového hrdla.

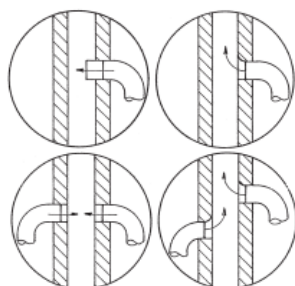
Ak odťahové hrdlo namontujete na dymový vývod vnútorného plášťa a zadnej steny, podložku (8) namontujte z vnútra plášťa k odťahovému hrdlu.

Ak ho chcete namontovať na ocelovú platňu, vyberte malé veko z otvoru a priskrutkujte odťahové hrdlo k zadnej platni.

Pred prvým použitím sporáka odstráňte z ozdobných profilov ochrannú fóliu.



obr. č. 3  
MONTÁŽ



obr. č. 4  
ODDOLIEKIE NA KOMÍN

#### 4. BEZPEČNOSTNÉ OPATRENIA

Pri inštalácii je treba prísne dodržiavať zásady požiarnej ochrany obsiahnuté v STN 92 0300.

V prípade blízkosti horľavých stavebných hmôt a predmetov o stupni horľavosti B, C<sub>1</sub> a C<sub>2</sub> podľa STN 73 0823 postavte sporák s príslušným dymovodom do bezpečnej vzdialenosti, ktorá je min. 400 mm od týchto predmetov.

Bezpečnú vzdialenosť je treba zdvojnásobiť, ak by boli sporáky s dymovodom postavené v blízkosti horľavých hmôt stupňa horľavosti C<sub>3</sub>. To isté treba urobiť i vtedy, keď stupeň horľavej hmoty nie je preukázaný.

Bezpečnostná vzdialenosť sa môže znížiť na polovicu pri použití nehorľavej, tepelne izolujúcej tieniacej dosky o hrúbke min. 5 mm umiestnenej tak, aby medzi doskou a chráneným horľavým predmetom zostala 25 mm vzdušná medzera.

Keď je podlaha z horľavého materiálu, postavte sporák na nehorľavú tepelne izolujúcu podložku, ktorá svojimi rozmermi presahuje obrys sporáka vpredu o 300 mm a na ostatných stranách najmenej o 100 mm.

Tieniaca doska umiestnená na chránenom predmete musí presahovať obrys sporáka včítane dymových rúr na každej strane najmenej o 150 mm a nad jeho hornou plochou najmenej o 300 mm.

#### 5. DOPORUČENÉ PALIVO

Pre sporák je doporučené palivo: brikety z hnedého uhlia, suché tvrdé drevo.

**Pozor:** Na kúrenie sa nikdy nesmie používať odpad ako tapety, zvyšok drevotriekových platní, umelé hmoty! Okrem toho sú nepripustné palivá napr. jemná štiepka, kôrový a drevotriekový odpad, uhoľná drvina, vlhké drevo alebo drevo ošetrené impregnačnou látkou na drevo.

#### 6. PRVÉ UVEDENIE DO PREVÁDZKY

Pred prvým uvedením do prevádzky treba:

- 1) namontovať odťahové hrdlo
- 2) vybrať príslušenstvo z popolníka popr. z ohniska, to isté platí aj pre prípadné zabezpečovacie prvky pri doprave

Povrch sporáka bol zľahka naolejovaný kvôli ochrane proti hrdzi, preto by sa malo zariadenie pred prvým zakúrením pretrieť suchým súknom.

Do sporáka sa musí pri prvom zakúrení opatrne prikladať palivo a na malom ohni sa sporák musí „vypáliť“. Všetky materiály si pozvoľna musia zvykať na vyvíjanie tepla. Opatrným zakurovaním zabránite vzniku trhlin v izolácii, poškodeniam laku a deformácii materiálu. Prípadný vznik zápachu dodatočným schnutím ochranného laku popr. ochranného oleja sa po krátkom čase stratí.

#### 7. ZAPÁLENIE

Položte najprv papier alebo zápalnú kocku na rošt, na to položte triesky alebo najemno naštiepané drevo alebo kúsky brikiet. Oba regulátory prívodu vzduchu:

- 1) otočný regulátor primárneho vzduchu na dvierkach popolníka a
- 2) posuvný regulátor prívodu sekundárneho vzduchu umiestneným v popolovom priestore (vedľa popolníkových krabice)

otvoriť maximálne na pozíciu 1 (=otvorené). Zakurovací klapka sa nastaví na 1 (=otvorené). Po zapálení sa dvierka ohniska musia zavrieť. Keď je oheň dostatočne rozpálený, priložte jednu vrstvu dreva popr. brikiet dvierkami ohniska. Dvierka popolníka musia byť vtedy vždy zatvorené.

#### 8. KÚRENIE

**Počas kúrenia musia byť dvierka rúry na pečenie otvorené!**

Kúrenie drevom:

Menovitý tepelný výkon sa dosiahne 2-3 polenami (cca 2,4 kg). Dvierka popolníka musia byť vždy zavreté. Vyháranie paliva riadte výlučne reguláciou primárneho vzduchu. Otočný regulátor primárneho vzduchu na dvierkach popolníka zavrite po cca. 10 min.

Rýchlosť vyhárania sa riadi podľa miestnych podmienok ťahu komína a polohy regulátorov vzduchu.

Kúrenie briketami z hnedého uhlia:

Menovitý tepelný výkon sa dosiahne 3 kusmi brikiet z hnedého uhlia (cca 1,7 kg).

Regulácia sa deje hlavne otočným regulátorom primárneho vzduchu na dvierkach popolníka. Dvierka popolníka sú zavreté.

Palivo	Maximálne množstvo paliva pre dosiahnutie menovitého tepelného výkonu	Otočný regulátor primárneho vzduchu(prúd vzduchu cez rošt)	Posuvný regulátor sekundárneho vzduchu
Drevo	2 polená (cca 2,4 kg)	otvorený na 10 min, potom zavretý(na zakúrenie pootvorený)	úplne otvorený ( regulátor úplne vytiahnutý)
Brikety z hnedého uhlia	3 brikety (cca 1,7 kg)	úplne otvorený	otvorený na 1/2

#### 9. VARENIE

Používané hrnce by mali mať masívne a rovné dno a mali by byť vybavené vhodnou pokrievkou. Veko otvoru varnej platne sa pri varení nesmie odstrániť.

Zakurovací klapka sa nastaví na pozíciu 1 (=otvorené), dvierka rúry na pečenie musia byť otvorené.

Varenie: Najlepšie je používať drevo (pri dreve sa dá teplota udržiavať lepšie ako pri inom palive) a počas varenia častejšie prikladať menšie množstvo. Keď nie je k dispozícii drevo, do ohniska prikladajte vo viacerých dávkach brikety z hnedého uhlia, aby sa vytvorila vysoká pahreba.

Množstvo paliva: tvrdé drevo: cca 1,1 kg, brikety z hnedého uhlia: 1,1 kg.

Nastavenie prívodov primárneho a sekundárneho vzduchu ako pri menovitom tepelnom výkone.

## 10. PRAŽENIE A PEČENIE

Dno rúry na pečenie nevykladajte alobalom ani naň nekladte panvice, hrnce atď., lebo sa smalt môže v dôsledku hromadenia tepla poškodiť. Ovocné štavý, ktoré kvapkajú z pekáča, môžu na smalte zanechať škvrny, ktoré sa už nemusia dať odstrániť. Rúra na praženie a pečenie sa vždy musí predhriať. Vysoké koláče a pečené mäso zasuňte na mriežke na dno rúry alebo na jednu zo spodných zásuvných lišt. Ploché koláče a ploché pečivo zasuňte na plechu do spodnej zásuvnej lišty. Podľa možnosti nepoužívajte formy z pocínovaného (bieleho) plechu.

Zakurovací klapka sa nastaví na pozíciu 0.

Na pečenie pri cca. 180-200 stupňoch °C by sa mal udržiavať menší oheň. Regulátor vzduchu príslušne stiahnuť a prikladať len málo paliva.

Na praženie je potrebný živší oheň, aby sa dala udržiavať teplota rúry nad 250 °C. Nad praženie je ako palivo výnimočne vhodné dlhoplamenné drevo.

Tu platí to isté, ako bolo popísané pri „varení“, avšak zakurovací klapka musí zostať zatvorená (pozícia 0). Ak sa nedosiahne potrebná teplota pri otvorení regulátora vzduchu, potom je ťah komína slabý.

Je potrebné vyčistiť spalinové cesty v sporáku. Preskúšajte takisto, či sú všetky spotrebiče, ktoré sú pripojené na ten istý komín, zatvorené. Ak ani potom nedosiahnete dostatočne vysoké teploty, spýtajte sa príslušného kominára.

Množstvo paliva: tvrdé drevo: 1,1 kg, brikety z hnedého uhlia: 1, 1 kg.

Nastavenie prívodov primárneho a sekundárneho vzduchu ako pri menovitom tepelnom výkone.

## 11. PRIPOMIENKY PRE PREVÁDZKU

Pri trvalom a intenzívnom kúrení nenechávajte zakurovaciu klapku uzavretú, lebo sa spáli smalt z pečúcej rúry a spalinové kanály sa zbytočne zanášajú. Na bezchybnú funkciu sporák vyžaduje minimálny prevádzkový ťah komína 10 ÷ 11 Pa. Podľa potreby je potrebné sporák dôkladne vyčistiť, pozorne prehliadnúť a prípadne poškodenú šamotáž opraviť vymazaním šamotovou múčkou rozrobenou vodným sklom.

Správnou údržbou sa zvyšuje životnosť sporáka. Prípadné vnútorné praskanie a pukanie pri zakurovaní alebo vychladnutí sporáka nie je závadou.

## 12. HOSPODÁRNA PREVÁDZKA

Hospodárne kúrenie neznamená menej tepla, ale menšie náklady na palivo. Hospodárnosť a dobrá výkonnosť je najviac ohrozená netesnosťami sporáka ako napr. nedostatočne tesnené odťahové hrdlo. Netesnosť vznikne aj z chybne zostavených dymových rúr. Najvýhodnejšie je sporák napojiť bezprostredne do komína.

Pre sporák má byť prierez komína 15x15 cm a minimálna výška komína 5 metrov od vyústenia dymovej rúry do komína. Palivo má byť uskladnené v suchom prostredí. Suché palivo lepšie horí, vydá viac tepla a je nižšia spotreba.

V sporáku spaľujte len predpísané palivo, uhlie menšieho zrnienia než 30 mm pre kúrenie je nevhodné, znižuje výkon i účinnosť sporáka. Pri spaľovaní jednotlivých palív vždy dodržte v návode predpísané inštrukcie.

Pokiaľ prvá nálož neprehorela, tak na rošt nepriložte ďalšie palivo, lebo sa zvyšuje spotreba a zároveň to zapríčiňuje zanášanie sadzami v priechodovej časti.

Do akej miery sa spaľujú spálne plyny, môžete sa presvedčiť pozorovaním spalín z komína. Pri nesprávnom prikladaní paliva vychádzajú z komína tmavé husté spaliny a pri správnom už za niekoľko minút svetlé spaliny. Pri správnom kúrení v sporáku nehučí. Hučanie ukazuje, že sa kúri chybne, uniká nadmerné množstvo tepla a nespálňovaných látok do komína.

Keby pri kúrení (podľa tohto návodu) hučalo v sporáku, treba nastaviť ťah komína znížením množstva vzduchu do ohniska.

Stáva sa, že po uplynutí určitého času v sporáku slabšie horí (obvykle tam, kde sú dvere a okná utesené), ale pri otvorení okna alebo dverí horí dobre. Príčinou je veľmi utesená miestnosť a nedostatok kyslíka v miestnosti. Otvorením okna alebo dverí sa odstráni. Najlepšie je vytvoriť predpoklady pre stály prítok vzduchu do miestnosti odstránením tesnenia z hornej časti okna.

Keď v sporáku po zakúrení horí dobre, ale neskôr sa horenie zhoršuje, vtedy je pravdepodobne rošt zapchatý do popola.

Palivo horí zle, keď:

- je vlhké,
- je vrstva paliva hrubá,
- rošt nie je celkom pokrytý palivom a okolo náložu prúdi studený vzduch,
- je nedostatočný prívod vzduchu do ohniska alebo miestnosti.

Nesprávnou obsluhou sa sporák zanesie sadzami a jemným popolčekom, preto je potrebné občas vyčistiť vnútorné časti sporáka podľa návodu. Sadze vo výmenníkovej časti sporáka a pod platňou tvoria nežiadúcu tepelnú izoláciu,

Na dosiahnutie dobrej tepelnej pohody je potrebná optimálna vlhkosť vzduchu v miestnosti, preto doporučujeme použiť odparovače.

## 13. DOLEŽITÉ UPOZORNENIA

Za okolností vedúcich k nebezpečeniu prechodného vzniku horľavých plynov alebo pri prácach s nebezpečím požiaru alebo výbuchu (napr. lepenie podlahovín a pod.), musí byť sporák včas pred vznikom nebezpečenja z prevádzky odstavený.

Sporák musí byť obsluhovaný podľa tohto návodu. Obsluhovať sporák smú len dospelé osoby, ponechať deti pri sporáku, ktorý je v prevádzke je neprípustné.

K zakurovaniu nesmú byť použité žiadne horľavé kvapaliny.

POČAS PREVÁDZKY JE ZAKÁZANÉ ZVYŠOVAŤ MENOVIÝ VÝKON SPORÁKA POUŽÍVANÍM HORĽAVÝCH KVAPALÍN ALEBO OTVORENÍM POPOLOVÝCH DVIEROK .

Na manipuláciu s ťahadlom roštu používajte manipulačný kľúč.

Do blízkosti popolníkových dvierok sa nesmú odhadzovať horľavé predmety.

Popol treba vynášať pozorne a odkladať ho do nehorľavých nádob s vekom. Vynášanie horúceho popola je zakázané!

Poškodený sporák, funkčne nespôsobilý, sa nesmie používať. Užívateľ sa musí postarať o jeho odbornú opravu pred pokračovaním v prevádzke.

Stav hromadenie popolčeka v dymovej rúre a kolena treba kontrolovať mesačne aspoň raz a podľa potreby vykonať čistenie.

Za prevádzky je potrebné občas dohliadať na funkciu sporáka a požiaru bezpečnosť. Treba kontrolovať stav paliva v ohnisku, zanesenie roštu popolom, stav regulačných orgánov spaľovacieho vzduchu, či sú dvierka riadne zavreté a kontrolovať čistotu okolia kachlí, či sa tam nenachádzajú horľavé predmety.

#### 14. ČISTENIE A ÚDRŽBA

Vyprázdnenie ohniska od zvyškov spaľovania sa robí po ukončení prevádzky, keď je sporák mimo prevádzky.

Pri čistení sporáka postupujte takto: vyberte platňu a veko z rámu platne, potom odoberte kryt kanála, ktorý je vedľa ohniska, aby aj tento priestor bol prístupný na čistenie. Tým je odkrytý celý priestor nad pečúcou rúrou a ohniskom. Zo zvislých dymových kanálov potom môžete sadze zmetať až na dno sporáka.

Potom odstráňte z prednej steny vyberateľné dvierka pečúcej rúry, podľa obrázkov č. 7, 8, 9 nasledovne:

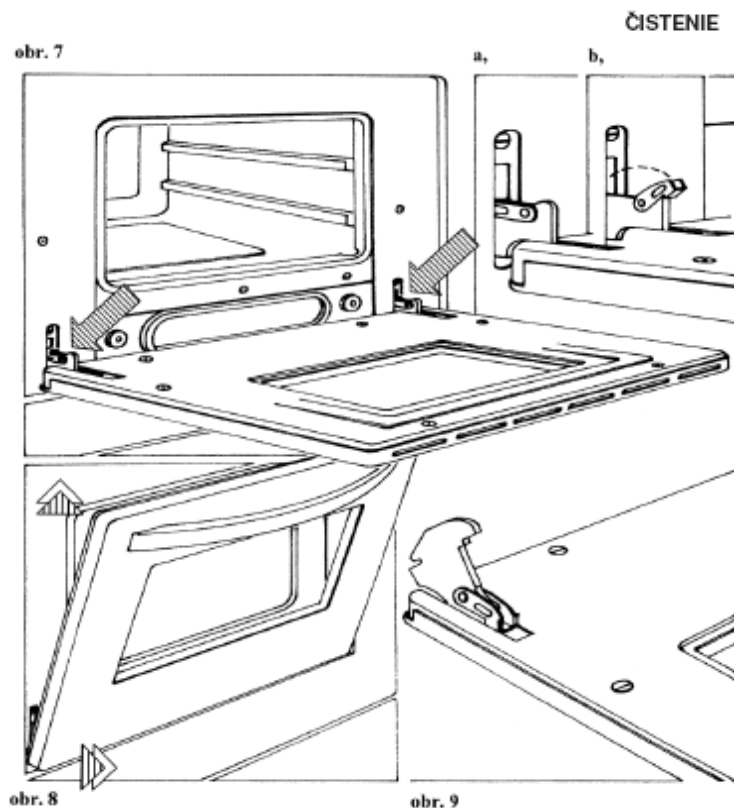
- dvierka rúry otvoríme (obr. 7)
- poistky na závesoch označené šípkami otočíme do polohy „b“
- dvierka privrieme na doraz a zároveň ich spodnú časť vytiahneme (obr. 8)
- ďalej odmontujeme matice od veka čistiaceho otvoru, odoberte veko, potom pod pečúcou rúrou v strede deliacej prepážky nájdete čistiace dvierka, ktoré miernym zdvihnutím a ťahaním treba otvoriť. Keď je už odkrytý celý priestor pod pečúcou rúrou, odstráňte sadze pomocou hrabadla do podloženej popolníkovej zásuvky.

Po vyčistení sporáka všetky odobraté dielce založte na svoje pôvodné miesta tak, aby tam pevne sedeli a tesne priliehali.

Postup pri vkladaní dvierok rúry na pečenie:

- dvierka rúry (obr.9) držíme vo zvislej polohe a závesy zasunieme do púzdiar
- dvierka otvoríme a poistky otočíme do polohy „a“
- dvierka zavrieme

Po vyčistení sporáka všetky odobraté dielce založte na svoje pôvodné miesta tak, aby tam pevne sedeli a tesne priliehali!



15. ZOZNAM PRÍSLUŠENSTVA

- 1 ks smaltovaný pekáč
- 1 ks smaltovaný plech na pečenie
- 1 ks niklovaná mriežka
- 1 ks odťahové hrdlo
- 1 ks manipulačný kľúč
- 1 ks hrabadlo
- 1 ks podložka k odťahovému hrdlu
- 1 ks veko platne

16. ZOZNAM NÁHRADNÝCH SÚČIASTOK

- Oceľová platňa
  - Oceľové veko platne
  - Rošt s ťahadlom
  - Klapka
  - Rukoväť s uzáverom popolových dvierok
  - Rukoväť s uzáverom prikladacích dvierok
  - Tesniaca šnúra platne
  - Tesniaca šnúra dvierok
  - Tesniaca šnúra rúry na pečenie
  - Šamotové tvarovky
  - Vermiculitové tvarovky
- vyhotovenie: pravé – ľavé  
vyhotovenie: pravé – ľavé

ZÁRUKA

Keď sa vyskytne v záručnej dobe na Vašom sporáku funkčná vada alebo vada povrchovej úpravy, neopravujte ju nikdy sami. Záručné opravy vykonávajú záručné opravovne a výrobca. Mimozáručné opravy vykonávajú oprávnené servisné organizácie. Za akosť, funkciu a vyhotovenie sporáka ručíme 2 roky od dňa predaja spotrebiteľovi a to tak, že chyby vzniknuté dokázateľne následkom chybného zhotovenia odstránime v krátkom čase na naše náklady s podmienkou, že sporák:

- bol obsluhovaný presne podľa návodu,
- bol pripojený na komín podľa platných noriem,
- nebol násilne mechanicky poškodený,
- neboli vykonané úpravy, opravy a neoprávnené manipulácie.

Pri reklamácií treba udať presnú adresu a uviesť okolnosti, za ktorých k nejdošlo. Reklamáciu prešetríme, keď k reklamácií predložíte záručný list opatrený dátumom predaja a pečiatkou predajne.

Pri kúpe si vo vlastnom záujme vyžiadajte čitateľne vyplnený záručný list. O spôsobe a mieste opravy sa rozhodne v našom podniku. Pri zakúpení spotrebiča skontrolujte sklo dvierok na pečenie. Prípadnú reklamáciu na poškodené sklo výrobca akceptuje do 15 dní od zakúpenia spotrebiča.

**Je neprípustné spotrebič prevádzkovať pri tepelnom preťažení, to značí:**

- množstvo použitého paliva je väčšie ako je doporučené,
- množstvo spaľovacieho vzduchu je väčšie ako je doporučené,
- používanie neprípustných druhov palív

**Tepelné preťaženie sa môže prejaviť:**

- deformáciou oceľovej platne
- prepálením roštu
- poškodením šamotových a vermiculitových tvaroviek

**V prípade nesprávneho prevádzkovania výrobcu neakceptuje reklamáciu na spotrebič!**

Pre výmenu výrobku alebo zrušenie kúpnej zmluvy platia príslušné ustanovenia občianskeho zákonníka a Reklamačného poriadku.

## Návod k instalaci obsluze sporáka na pevné palivo

ÖKONOM 85/FIKO a ÖKONOM 75/FIKO  
testováno podle ČSN EN 12815**1. VŠEOBECNĚ**

Sporák na pevné paliva je tepelný spotřebič určený na vaření a pečení v domácnostech. Je konstruován na spalování dřeva a hnědouhelných briket.

Sporák může být instalován do obvyčejného prostředí definovaného ČSN 33 0300.

Všechny místní předpisy, včetně předpisů, které se týkají národních norem, musí být při montáži dodrženy.

Před postavením sporáku je nutné informovat příslušného kominického mistra, který jako odborník zkontroluje správné připojení sporáku na komín.

Sporák musí být instalován na podlahách s odpovídající nosností. Při instalaci je nutné dbát na zajištění dostatečného přístupu na čištění sporáku, kouřovodu a komína.

Sporák musí být při provozu ale i mimo něj uzavřen, nebo jinak jsou další spotřebiče připojené na komín výrazně ovlivňovány.

POZOR: při reklamacích nebo objednávkách náhradních dílů uvádějte vždy název, typ a výrobní číslo uvedené na údajovém štítku.

**2. TECHNICKÝ POPIS, TECHNICKÉ ÚDAJE**

		ÖKONOM85/FIKO	ÖKONOM75/FIKO
Jmenovitý tepelný výkon [kW] (letní i zimní režim)	dřevo	7,0	
	hnědouhelné brikety	7,0	
Tepelný tok do prostoru [kW]		7,0	
Účinnost při jmenovitém výkonu [%]	dřevo	77,2	
	hnědouhelné brikety	65,5	
Provozní tah komína [Pa]		dřevo = 10, hnědouhelné brikety = 11	
Hlavní rozměry [mm]:			
- šířka		850	755
- hloubka (bez rukojeti)		600	600
- výška		850	850
Rozměry trouby na pečení [mm]:		334	
- šířka		455	
- hloubka		234	
- výška			
Plocha varné plotny [m <sup>2</sup> ]		0,34	
Průměr odtahového hrdla [mm]		120	
Výška po spodní okraj odtahového hrdla při umístění vzadu a na boku [mm]		641	
Objem popelové krabice [dm <sup>3</sup> ]		7,8	
Hmotnost cca [kg]		122 ÷ 126	120 ÷ 124
Doporučené palivo:			
-suché tvrdé dřevo (buk, dub) – výhřevnost cca 15 MJkg <sup>-1</sup>			
-hnědouhelné brikety – palivo I. třídy, skupina C, výhřevnost 20÷23 MJkg <sup>-1</sup>			
Přibližná spotřeba doporučeného paliva při jmenovitém výkonu [kg·hod <sup>-1</sup> ]:		2,4	
- dřevo		1,7	
- hnědouhelné brikety			
Vytápěcí schopnost [m <sup>3</sup> ]:		> 205	
- příznivý typ konstrukce stavby		120	
- méně příznivý typ konstrukce stavby		82	
- nepříznivý typ konstrukce stavby			
Normy: ČSN EN 12815, ČSN 06 1000, ČSN 06 1008, ČSN 73 4201			



### 3. INSTALACE

Při instalaci dodržet všechny příslušné projektové, bezpečnostní a hygienické směrnice v smyslu vyhlášky.

Sporák je vhodný pro připojení vícenásobně obsazených komínů, to znamená, že na komín, na kterém jsou připojen sporák, smí být připojeno více spotřebičů.

Data pro výpočet komína (při jmenovitém tepelném výkonu):

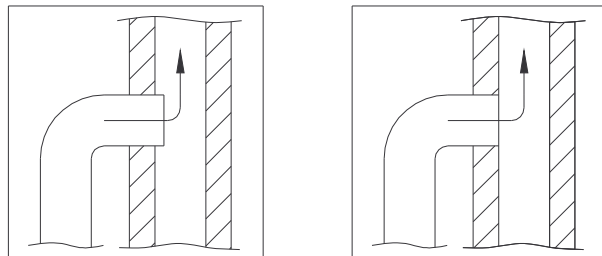
ÖKONOM 85/FIKO		
Palivo	Dřevo	Hnědouhelné brikety
Hmotnostní proud spalin [gs <sup>-1</sup> ]	9,2	15,8
Průmerná teplota spalin za odtahovým hrdlem [°C]	273,5	255,5
Tah při jmenovitém tepelném výkonu [Pa]	10	11
Min. tah při jmenovitém tepelném výkonu [Pa]	8	9

Před připojením sporáku se přesvědčte, či je dostatečný tah v komínu. Plameň zapáleného papíru nebo svíčky má být vtáhnutý do komínového otvoru. Sporák musí být připojen na komínový sopouch nejkratší cestou.

Sporák musí být vždy připojen na komínový průduch se souhlasem příslušného kominického podniku v souladu s ČSN 73 4201.

Pokud nemůžou být sporák připojeny bezprostředně na komínový sopouch, má být příslušný kouřovod v daných možnostech co nejkratší a stoupat směrem ke komínu. Kouřovody mohou být dlouhé max. 1,5 m. V každém případě je nutné, aby kouřové koleno nebo trubka nasazené na odtahové hrdlo, byly pojištěny proti uvolnění kolíkem. Kouřové trubky a kolena musí být mezi sebou a sporákem nasazeny pevně a těsně a zasunuty do sebe v délce min. 40 mm ve směru komínového tahu. Otvor komína musí být opatřen plechovou zděří, která svým průměrem odpovídá průměru použitých kouřových trubek.

Správné a nesprávné připojení sporák na komín je znázorněno na obr.č.1



obr. č.1

Připojení na komín

nesprávně

správně

### 4. BEZPEČNOSTNÍ OPATŘENÍ

Při instalaci je třeba přísně dodržovat zásady požární ochrany v smyslu ČSN 06 1008.

V případě blízkosti hořlavých stavebních hmot a předmětů o stupni hořlavosti B, C<sub>1</sub> a C<sub>2</sub> podle ČSN 73 0823 postavte sporák s příslušným kouřovodem do bezpečné vzdálenosti, která je min. 600 mm od boční stěny a 300 mm od zadní stěny od těchto předmětů.

Bezpečnou vzdálenost je třeba zdvojnásobit, jestli by byl sporák s kouřovodem postavený v blízkosti hořlavých hmot stupně hořlavosti C<sub>3</sub>. Totéž je třeba udělat, jestli stupeň hořlavosti hořlavé hmoty není prokázán.

Bezpečnostní vzdálenost se může snížit na polovinu při použití nehořlavé, tepelně izolující stínící desky o síle min. 5 mm umístěné tak, aby mezi deskou a chráněným hořlavým předmětem zůstala 25 mm vzdušná mezera.

Když je podlaha z hořlavého materiálu, postavte sporák na nehořlavou tepelně izolující podložku, která svými rozměry přesahuje obrys sporáku vpředu o 300 mm a na ostatních stranách nejméně o 100 mm.

Stínící deska umístěná na chráněném předmětu musí přesahovat obrys sporáku včetně dýmových rour na každé straně nejméně o 150 mm a nad jeho hornou plochou nejméně o 300 mm.

### 5. DOPORUČENÉ PALIVO

Pro sporák je doporučené palivo: brikety z hnědého uhlí, suché tvrdé dřevo.

**Pozor:** Na topení se nikdy nesmí používat odpad jako tapety, zbytek dřevotřískových platní, umělé hmoty! Okrem toho jsou nepřijatelná paliva např. jemná tříška, kůrový a dřevotřískový odpad, uhelná drtina, vlhké dřevo nebo dřevo ošetřené impregnační látkou na dřevo.

## 6. PRVNÍ UVEDENÍ DO PROVOZU

Před prvním uvedením do provozu je nutno:

- 1) namontovat odtahové hrdlo
- 2) vybrat příslušenství z popelníku popř. z ohniska, to samé platí i pro případné zabezpečovací prvky při přepravě

Povrch sporáku byl zlehka naolejován kvůli ochraně proti rzi, proto by se mělo zařízení před prvním zatopením protřít suchým sukem. Do sporáku se musí při prvním zatopení opatrně přikládat palivo a na malém ohni se sporák musí „vypálit“. Všechny materiály si pozvolna musí zvykat na vyvíjení tepla. Opatrným zatápěním zabráníte vzniku trhlin v izolaci, poškozením laku a deformaci materiálu. Případný vznik zápachu dodatečným schnutím ochranného laku popř. ochranného oleje se po krátkém čase ztratí.

## 8. ZAPÁLENÍ

Položte nejprve papír nebo zápalní kostku na rošt, na to položte třísky nebo nejmenno naštípané dřevo nebo kousky briket. Oba regulátory přívodu vzduchu:

- 1) otočný regulátor primárního vzduchu na dvířkách popelníku a
- 2) posuvný regulátor přívodu sekundárního vzduchu umístěn v popelovém prostoru (vedle popelníkové krabice)

otevřít maximálně na pozici 1 (=otevřeno). Klapka pro zatopení se nastaví na 1 (=otevřeno). Po zapálení se dvířka ohniska musí zavřít. Když je oheň dostatečně rozpálen, přiložte jednu vrstvu dřeva popř. briket přes dvířka ohniska. Dvířka popelníku musí být tehdy vždy zavřeny.

## 8. TOPENÍ

**V průběhu topení dvířka pečící trouby musí být otevřena!**

### Topení dřevem

Jmenovitý tepelný výkon se dosáhne se 2-3 ks polen (cca 2,4 kg). Dvířka popelníku musí být vždy zavřena. Vyhořívání paliva řídte výlučně regulací primárního vzduchu. Otočný regulátor primárního vzduchu na dvířkách popelníku zavřete po uplynutí cca. 10 min.

Rychlost vyhořívání se řídí podle místních podmínek tahu komína a polohy regulátorů vzduchu.

### Topení briketami z hnědého uhlí

Jmenovitý tepelný výkon se dosáhne se 3 kusy briket z hnědého uhlí (cca 1,7 kg).

Regulace se děje hlavně otočným regulátorem primárního vzduchu na dvířkách popelníku. Dvířka popelníku jsou zavřena.

Palivo	Maximální množství paliva pro dosažení jmenovitého tepelného výkonu	Otočný regulátor primárního vzduchu (proud vzduchu přes rošt)	Posuvný regulátor sekundárního vzduchu
Dřevo	2 polena (cca 2,4 kg)	otevřený na 10 min, pak zavřen (na zatopení pootevřen)	úplně otevřen (regulátor úplně vytáhnout)
Brikety z hnědého uhlí	3 brikety (cca 1,7 kg)	úplně otevřený	otevřen na 1/2 ( )

## 9. VAŘENÍ

Používané hrnce by měli mít masivní a rovné dno a měli by být vybavené vhodnou pokličkou. Víko otvoru varné plotny se při vaření nesmí odstranit.

Klapka pro zatápění se nastaví na pozici 1 (=otevřená), dvířka na pečení musí být otevřená.

Vaření: Nejlépe je používat dřevo (při dřevě se dá teplota udržovat lépe jako při jiném palivu) a v průběhu vaření častěji přikládat menší množství. Když není k dispozici dřevo, do ohniska přikládejte ve více dávkách brikety z hnědého uhlí, aby se vytvořila vysoká hromada žhavého popela.

Množství paliva: tvrdé dřevo – cca 1,1 kg, brikety z hnědého uhlí – 1,1 kg.

Nastavení přívodu primárního a sekundárního vzduchu jako při jmenovitém tepelném výkonu.

## 10. PRAŽENÍ A PEČENÍ

Dno roury na pečení nevykládejte alobalem ani naň nekladte pánvičky, hrnce atd., nebo se smalt může v důsledku hromadění tepla poškodit. Ovočné šťávy, které kapají z pekáče, můžou na smaltu zanechat skvrny, které se už nemusí dát odstranit. Roura na pražení a pečení se vždy musí předehřát. Vysoké koláče a pečené maso zasuňte na mřížce na dno roury nebo na jednu ze spodních zásuvných lišt. Ploché koláče a ploché pečivo zasuňte na plechu do spodní zásuvné lišty. Podle možnosti nepoužívejte formy z pocínovaného (bílého) plechu.

Klapka na zatopení se nastaví na pozici 0.

Na pečení při cca. 180-200 stupních °C se udržuje menší oheň. Regulátor vzduchu příslušně stáhnout a přikládat jen málo paliva.

Na pražení je potřebný živější oheň, aby se dala udržovat teplota roury nad 250 °C. Na pražení je jako palivo výjimečně vhodné dřevo s dlouhým plamenem.

Tu platí totéž, jako bylo popsáno při „vaření“, avšak klapka pro zatopení musí zůstat zavřena (pozice 0). Jestli se nedosáhne potřebná teplota u otevřeného regulátoru vzduchu, pak je tah komína slabý.

Je potřebné vyčistit dýmové cesty v sporáku. Přezkoušejte taky, jestli jsou všechny spotřebiče, které jsou připojeny na tentýž komín, zavřené. Jestli ani pak nedosáhnete dostatečně vysoké teploty, optejte se příslušného kominíka.

Množství paliva: tvrdé dřevo – 1,1 kg, brikety z hnědého uhlí – 1, 1 kg.

Nastavení přívodu primárního a sekundárního vzduchu jako při jmenovitém tepelném výkonu.

## **11. PŘIPOMÍNKY PRO PROVOZ**

Na bezchybnou funkci sporák vyžaduje minimální provozní tah komína 10 ÷ 11 Pa. Podle potřeby je potřebné sporák důkladně vyčistit, pozorně prohlédnout a případně poškozené vermiculitové obložení vyměnit.

Správnou údržbou se zvyšuje životnost sporáku. Případné vnitřní praskání pukání při zátopu nebo vychladnutí sporáku není závadou.

## **12. HOSPODÁRNÍ PROVOZ**

Hospodární topení neznamená méně tepla, ale menší náklady na palivo. Hospodárnost a dobrá výkonnost je nejvíc ohrožená netěsnostmi sporáku jako např. nedostatečné těsněné odtahové hrdlo. Netěsnost vznikne i z chybně sestavených dýmových rour. Nejvhodnější je sporák napojit bezprostředně do komína.

U sporáku má být průřez komína 15x15 cm. Palivo má být uskladněné v suchém prostředí. Suché palivo lépe hoří, vydá více tepla a je nižší spotřeba.

V sporáku spalujte jen předepsané palivo. Při spalování jednotlivých paliv vždy dodržte návodem předepsané instrukce.

Jestli první dávka nepřehořela, tak na rošt nepřiložte další palivo, nebo se zvyšuje spotřeba a zároveň to zapříčiňuje zanášení sazemi v průduchové části.

Do jaké míry se spalují spalné plyny, můžete se přesvědčit pozorováním spalin z komína. Při nesprávném přikládání paliva vycházejí z komína tmavé, husté spaliny a při správném už za několik minut světlé spaliny. Při správním topení v sporáku nehučí. Hučení ukazuje, že se topí chybně, uniká nadměrné množství tepla a nespálených látek do komína.

Jestli při topení (podle tohoto návodu) hučelo v sporáku, je třeba nastavit tah komína

snížením množství vzduchu do ohniska.

Stává se, že po uplynutí určitého času v sporáku slaběji hoří (obvykle tam, kde jsou dveře a okna utěsněny), no při otevřeném okně nebo dveřích hoří dobře. Příčinou je velmi utěsněná místnost a nedostatek kyslíku v místnosti. Otevřením okna nebo dveří se odstraní. Nejlépe je vytvořit předpoklady pro stálý přítok vzduchu do místnosti odstraněním těsnění z horní části okna.

Jestli v sporáku po zatopení hoří dobře, ale pak se hoření zhoršuje, potom je pravděpodobně rošt zacpán od popela.

Palivo hoří zle, jestli

- je vlhké,
- je vrstva paliva hrubá,
- rošt není celkem pokrytý palivem a okolo nálože proudí studený vzduch,
- je nedostatečný přívod vzduchu do ohniska nebo do místnosti.

Nesprávnou obsluhou se sporák zaneše sazemi a jemným popílkem, proto je potřebné občas vyčistit vnitřní části sporáku podle návodu. Saze v dýmových kanálech sporáku a pod deskou jsou nežádoucí tepelná izolace.

Na dosažení dobré tepelné pohody je potřebná optimální vlhkost vzduchu v místnosti, proto doporučujeme použít odpařovače.

## **13. DŮLEŽITÉ UPOZORNĚNÍ**

Za okolností, které vedou k nebezpečí přechodného vzniku hořlavých plynů nebo při pracích s nebezpečím požáru nebo výbuchu (například lepení podlahovin a pod.) musí být sporák včas předvznikem nebezpečí z provozu odstavený.

Sporák musí být obsluhován podle tohoto návodu. Obsluhovat sporák smějí jen dospělé osoby, ponechat děti při sporáku, který je v provozu, je nepřipustné.

Na zatápění nesmí být použité žádné hořlavé kapaliny.

**V PRŮBĚHU PROVOZU JE ZAKÁZÁNO ZVÝŠOVAT JMENOVITÝ VÝKON SPORÁKA POUŽÍVÁNÍM HOŘLAVÝCH KAPALIN NEBO OTEVŘENÍM POPELNÍLKOVÝCH DVÍŘEK.**

Na manipulaci s tahadlem roštu užívejte manipulačný klíč.

Do blízkosti popelníkových dvířek se nesmí odhazovat hořlavé předměty.

Popel je třeba vynášet pozorně a odkládat do nehořlavých nádob s víkem. Vynášení horkého popela je zakázáno!

Je zakázáno pokládat na otevřené dvířka pečící trouby jakékoliv předměty.

Poškozený sporák, funkčně nezpůsobilý, se nesmí používat. Uživatel se musí postarat o jeho odbornou opravu před pokračováním provozu.

Stav hromadění popílku v dýmové rouře a kolene je třeba kontrolovat měsíčně aspoň raz a podle potřeby vykonat čištění.

Za provozu je potřebné občas dohlédnout na funkci sporáku a požární bezpečnost. Třeba kontrolovat stav paliva v ohnisku, zanesení roštu popelem, stav regulačních orgánů spalovacího vzduchu, jestli jsou dvířka řádně zavřeny a kontrolovat čistotu okolí sporáku, jestli se tam nenacházejí hořlavé předměty.

## **14. ČIŠTĚNÍ A ÚDRŽBA**

Vyprázdnění ohniska od zbytků spalování se dělá po ukončení provozu.

Při čištění sporáku postupujte takhle: Vyberte plotny a veko z rámu plotny, pak odeberte kryt kanálu, který je vedle ohniště. Tým je odkrytý celý prostor nad pečící rourou a ohniskem. Ze svislých dýmových kanálů potom můžete saze zmetat až na dno sporáku.

Potom z přední stěny odstraňte vyjímatelná dvířka trouby podle obrázků č.4, 5, 6 následovně:

Otevřete dvířka (č. poz. 1) a prstem nazdvihněte od závěsu doraz dvířek (č. poz. 2) podle obr. č.4. Dále držte doraz ve zvednuté poloze a volnou rukou zavřete dvířka, které narážejí na doraz šikmo zůstanou podle obr. č.5. Potom vezměte dvířka trouby do obou rukou a mírným zvednutím a tehem je vyberte.

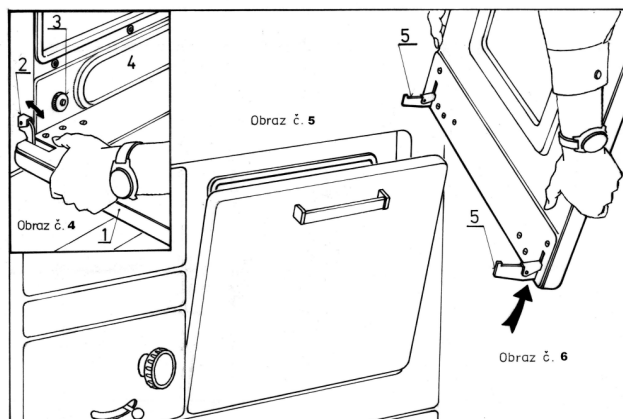
Dále odšroubujte matice (3) od víka prostoru na čištění, odejměte víko (4) a pod pečící troubou najdete ve středu dělicí přepážky dvířka na čištění, které ja třeba mírným zvednutím a tahem vybrat /otevřít/. Když už je celý prostor pod troubou odkrytý, odstraňte saze pomocí pohrabáče do podložené zásuvky popelníku.

Při montáži dvířek trouby postupujte následovně: Podržte dvířka rukami v šikmé poloze, podle obr. č.6. Závěsy dvířek (poz. č.5) vložte do pouzder a rovnoměrnou silou z obou stran zatlačte dvířka na doraz, potom dvířka otevřete tak, aby doraz dvířek samovolně zapadl do otvoru a dvířka už můžete pustit a ty se samovolně zavřou.

**POZOR:** sporák smí být po čištění uveden opět do provozu jsou-li zabudovány všechny díly použité pro čištění.

Je nutností zabezpečit pravidelnou údržbu odpovědným technikem.

Do další době pokračování provozu je nutné kontrolovat jakéhokoli usazení sporáku, kouřovodu nebo komína



obr. č.4, č.5, č.6  
Čištění a údržba

**Po vyčištění sporáku všechny odebrané díly založte na své původní místa tak, aby tam pevně seděli a těsně přiléhali.**

### **15. SEZNAM PŘÍSLUŠENSTVÍ:**

- 1 ks smaltovaný pekáč
- 1 ks smaltovaný plech k pečení
- 1 ks niklovaná mřížka
- 1 ks odtahové hrdlo
- 1 ks manipulační klíč
- 1 ks hrabadlo
- 1 ks podložka k odtahovému hrdlu
- 1 ks veko plotny

### **16. SEZNAM NÁHRADNÍCH DÍLŮ:**

- Plotna ocelová
- Ocelové veko plotny
- Rošt s tahadlem
- Klapka pro zatápění
- Rukojeť s uzávěrem popelových a příkládacích dvířek
- Vermiculitové tvarovky
- Šamotové cihly
- Usměrňovač spalin nad ohniskem
- Popelová zásuvka
- Těsnící šňůra plotny
- Těsnící šňůra příkládacích a popelových dvířek
- Těsnící šňůra roury na pečení

## **ZÁRUKA**

Když se vyskytne v záruční době na vašem sporáku funkční vada nebo vada povrchové úpravy, neopravujte ji nikdy sami. Záruční opravy vykonávají záruční opravny a výrobce. Pozáruční opravy vykonávají oprávněné servisní organizace.

Za jakost, funkci a vyhotovení ohřívače vody ručíme 2 roky ode dne prodeje spotřebiteli a to tak, že chyby vzniknuté dokazatelně následkem chybného zhotovení odstraníme v krátkém čase na naše náklady s podmínkou, že sporák:

- byl obsluhován přesně podle návodu,
- byl připojen na komín podle platných norem,
- nebyl násilně mechanicky poškozen,
- nebyli vykonány úpravy, opravy a neoprávněné manipulace.

Při reklamaci je nutno udat přesní adresu a uvést okolnosti, za kterých k ní došlo. Reklamaci přešetříme, když k reklamaci předložíte záruční list, který je opatřen datem prodeje a razítkem prodejny.

Při nákupu si ve vlastním zájmu vyžádejte čitelně vyplněný záruční list. O způsobu a místě opravy se rozhodne v našem podniku.

**Při nákupu spotřebiče zkontrolujte šamotové cihly. Případní reklamaci na poškozené šamotové cihly výrobce akceptuje jenom po prvním zatopení v spotřebiči.**

**Je nepřijatelné spotřebič provozovat při tepelném přetížení, to jest:**

- množství použitého paliva je větší jako je předepsáno
- množství spalovacího vzduchu je větší jako je předepsáno
- používání nepřijatelných druhů paliv

**Tepelné přetížení se může projevit:**

- propálením roštu
- prasknutím šamotových cihel
- propálením roštu

**V případě nesprávného provozování výrobce neakceptuje reklamaci na spotřebič!**

Pro výměnu výrobku nebo zrušení kupné smlouvy platí příslušné ustanovení Občanského zákoníku a Reklamačního řádu.

HU

**Az EN 12815 szerint tesztelt**  
**ÖKONOM 85/FIKO és ÖKONOM 75/FIKO**  
**szilárd tüzelésű folytonégő tűzhely beszerelési és kezelési utasítása**

**1. ÁLTALÁNOS TUDNIVALÓK**

A szilárd tüzelőanyagra működő háztartási tűzhely (a továbbiakban csak tűzhely) sütésre és főzésre szolgáló hőfogyasztó a háztartások számára. A tűzhely időleges üzemeltetésre alkalmas. A tűzhely az STN 33 0300 (Szlovák Műszaki Szabvány) által meghatározott szokásos környezetben szerelhető be.

A tűzhely az STN EN 12815 szabvány szerint fa és barnaszén-brikett tüzelőanyag felhasználásával volt kipróbálva. Megfelel az idézett szabvány feltételeinek.

A beszerelésnél minden helyi előírást, a nemzeti szabványokat érintő előírásokat is beleértve, be kell tartani.

A tűzhely beépítése előtt szükséges az illetékes kéményseprő-mestert tájékoztatni, aki mint szakember ellenőrzi a tűzhely megfelelő kéménybekötését.

A tűzhelyet megfelelő teherbíró-képességgel rendelkező padlón kell beszerelni. A beszerelésnél szükséges ügyelni arra, hogy a tűzhely, a füstcső és a kémény tisztításának elvégzéséhez elegendő hely legyen biztosítva.

Üzemeltetés alatt, de üzemeltetésen kívül is a tűzhelynek zárva kell lennie, különben a kéménybe bekötött többi fogyasztó jelentősen befolyásolva van. A tüzelőajtót csak a tüzelőanyag berakásakor szabad kinyitni.

FIGYELEM: reklamáció esetén vagy pótalkatrészek rendelésekor mindig kérjük a megnevezés, a típus, a kivitelezés (bal vagy jobb) és az adatcímkén feltüntetett gyártási szám pontos feltüntetését.

**2. MŰSZAKI LEÍRÁS, MŰSZAKI ADATOK**

A tűzhely kéménybekötése az oldalsó, felső valamint a hátsó részről oldható meg.

Gyártása a következő kivitelezésben történik: jobb- és baloldali kialakításban

		ÖKONOM 85/FIKO	ÖKONOM 75/FIKO
Névleges hőteljesítmény [kW] (téli és nyári rezsim)	fa	7,0	
	Barnaszénbrikett	7,0	
Hőáramlás a térbe [kW]		7,0	
Hatásfok névleges teljesítményen [%]	fa	77,2	
	Barnaszénbrikett	65,5	
A kémény üzemi huzata [Pa]		fa = 10, barnaszén brikett = 11	
Fő méretei [mm]:			
- szélesség		850	755
- mélység (fogantyú nélkül)		600	600
- magasság (füstcsonk csatlakozás nélkül)		850	850
A sütő méretei [mm]:			
- szélesség		334	
- mélység		455	
- magasság		234	
Főzőlap felület [m <sup>2</sup> ]		0,34	
Füstcsonk átmérője [mm]		120	
Magasság a füstcsonk alsó szegélyéig Hátsó és oldalsó elhelyezésnél [mm]		641	
A hamufiók térfogata [dm <sup>3</sup> ]		7,8	
Tömege cca. [kg]		122 ÷ 126	120 ÷ 124
Ajánlott tüzelőanyag: - száraz keményfa (bükkfa, tölgyfa) – fűtőérték cca. 15 MJkg <sup>-1</sup> - Barnaszénbrikett – I. osztályú C csoportba tartozó tüzelőanyag, fűtőérték 20÷23 MJkg <sup>-1</sup>			
Az ajánlott tüzelőanyag megközelítő fogyasztása névleges teljesítményen [kg hod <sup>-1</sup> ]:			
- fa		2,4	
- barnaszénbrikett		1,7	

Fűtési képesség [m <sup>3</sup> ]: - kedvező építmény-szerkezetű típus - kevésbé kedvező építmény-szerkezetű típus - hátrányos építmény-szerkezetű típus	> 205 120 82
Szabványok: EN 12815, STN 06 1201, STN 73 4201, STN 73 4210, STN 92 0300	

Cégünk a technikai változtatások jogát fenntartja, amennyiben ezek a műszaki színvonalat emelik vagy a minőséget javítják!

### 3. TELEPÍTÉS

A telepítésnél a 401/2007. sz. rendelet értelmében be kell tartani minden idevonatkozó tervezeti, biztonsági és higiéniai irányelvet. A tűzhely többszörösen foglalt kéménybe is beköthető, ami azt jelenti, hogy a kéménybe, amelyhez a tűzhely van csatlakoztatva, több fogyasztót is be lehet kötni.

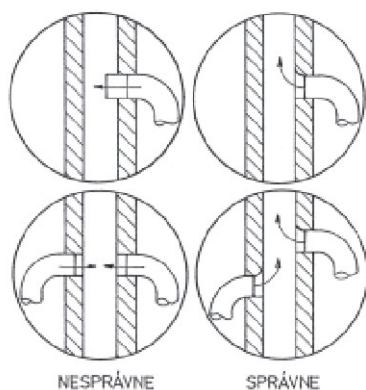
A kémény megoldására szolgáló adatok (névleges hőteljesítmény mellett):

	Tüzelőanyag	Hasábfű	Barnaszénbrikett
Füstgáz tömegáramlása	[gs <sup>-1</sup> ]	9,2	15,8
A füstgáz átlaghőmérséklete a füstcső-csonk mögött	[°C]	273,5	255,5
Min. huzat névleges hőteljesítmény mellett	[Pa]	10	11

A tűzhely csatlakoztatása előtt győződjön meg a kémény megfelelő huzaterősségéről. A meggyújtott papír vagy gyertya lángjának be kell szívódnia a kémény nyílásába. A tűzhelyet a legrövidebb irányban kell a füstcsatornához csatlakoztatni.

A tűzhelyet csak az STN (Szlovák Műszaki Szabvány) 73 4210 és az STN 73 4201 előírásainak megfelelően, az illetékes kéményseprő-vállalat jóváhagyásával lehet a kéménykürtőhöz csatlakoztatni.

Ha a tűzhely nem csatlakoztatható közvetlenül a füstcsatornához, az idetartozó füstelvezetőnek az adott lehetőségeknek megfelelően a lehető legrövidebbnek, és a kémény irányában felfelé ívelőnek kell lennie. A füstelvezető maximális hossza 1,5 m lehet. Mindenesetre szükséges a füstcső-csonkra illesztett füstkönyökcsövet vagy a füstcsövet meglazulás ellen csappal biztosítani. A füst- és a könyökcsöveket egymás és a tűzhely között a kéményhuzat irányában minimálisan 40 mm hosszúságban szorosan és szilárdan egymásba kell illeszteni. A kéménynyílást a felhasznált füstcsövek átmérőjének megfelelő átmérővel rendelkező lemeztokkal kell ellátni. A tűzhely szabályos és szabálytalan kéménybekötését az 1. sz. ábra szemlélteti.



obr. č. 1

PRIPOJENIE NA KOMÍN

#### 1. sz. ábra

#### Kéménybekötés

Nesprávne – szabálytalan

Správne – szabályos

### 4. BIZTONSÁGI INTÉZKEDÉSEK

A beszerelésnél szigorúan be kell tartani az STN 92 0300 (Szlovák Műszaki Szabvány) által előírt tűzvédelmi szabályokat.

A B, C<sub>1</sub> és C<sub>2</sub> gyúlékonysági osztályba sorolt gyúlékony építőanyagok és tárgyak közelsége esetén a tűzhelyet a hozzátartozó füstelvezető csővel az STN 73 0823 Szlovák Műszaki Szabvány szerint biztonságos távolságban kell beépíteni, ami ezektől a tárgyaktól számítva az oldallaptól min. 600 mm, a hátlaptól 300 mm távolságnak felel meg.

A biztonsági távolságot meg kell duplázni, ha a tűzhely a hozzátartozó füstelvezető csővel C<sub>3</sub> gyúlékonysági osztályba tartozó anyagok közelében van beépítve. Ugyanezt kell tenni akkor is, ha a gyúlékony anyag gyúlékonysági foka nincs tanúsítva.

A biztonsági távolság a felére csökkenthető nem gyúlékony, hőszigetelő, min. 5 mm vastagságú, árnyékoló lemez használata esetén, ha az úgy van elhelyezve, hogy a lemez és a védett gyúlékony tárgy között 25 mm légréteg marad.

Ha a padlózat gyúlékony anyagból van, építse olyan nem égő, hőszigetelő alátétre a tűzhelyet, melynek méretei elől 300 mm-rel, oldalain legkevesebb 100 mm-rel meghaladják a tűzhely körvonalait.

A védett tárgyon elhelyezett árnyékoló lemeznek minden oldalon legkevesebb 150 mm-rel, felső felületén legkevesebb 300 mm-rel meg kell haladnia a tűzhely körvonalait, a füstcsöveket is beleértve.

## 5. AJÁNLOTT TÜZELŐANYAG

Ajánlott tüzelőanyag a tűzhely számára: barnaszénbrikett, száraz keményfa.

**Figyelem:** Tapétát, faforgács-lemez maradványokat, műanyagot hulladékként tüzelésre nem szabad használni! Ezen kívül megengedhetetlen olyan tüzelőanyag használata, mint a finom apríték, kéreg- és faforgács-hulladék, széntörmelék, nedves fa vagy impregnáló anyaggal kezelt fa.

## 6. AZ ELSŐ ÜZEMBEHELYEZÉS

Az első üzembe helyezés előtt:

- 1) a főzőlapra fel kell szerelni a füstcső-csonkot
- 2) a hamufiókból vagy esetleg a tűztérből ki kell szedni a tartozékokat, ugyanez érvényes a szállítás alatti biztosító elemekre.

A tűzhely felülete rozsdásodás ellen enyhén olajozott, ezért a berendezést az első begyújtás előtt le kellene egy posztódarabbal dörzsölni.

Az első begyújtáskor a tűzhelybe óvatosan kell a tüzelőanyagot berakni és a tűzhelyet kis lángon ki kell „égetni”. Az anyagokat lassanként hozzá kell szoktatni a hőtermeléshez. Óvatos begyújtásokkal megakadályozza a repedések keletkezését a szigetelésben, a lakkozás megrongálódását és az anyag deformálását. A védőmáz vagy esetleg a védő olajréteg utólagos száradásával járó esetleges bűz rövid időn belül megszűnik.

## 7. BEGYÚJTÁS

Először helyezzen papírt vagy gyújtókockát a rostélyra, arra tegyen forgácsot vagy vékonyra vágott aprófát vagy brikett-darabkákat. Mindkét légbevezető szabályozót:

- 1) a primer levegő hamuajtón levő forgatható szabályozóját és
- 2) a szekunder légbevezető – a hamutérben a hamufiók mellett - tolatyús szabályozóját

maximálisan az „1” (=nyitva) helyzetre állítani. A begyújtó csappantyút az „1” (=nyitva) helyzetre állítani. Meggyújtás után a tüzelőajtót be kell zárni. Amikor a tűz már megfelelő erősségű, helyezzen be a tüzelőajtón egy réteg fát vagy esetleg brikettet. Ilyenkor a hamuajtónak mindig zárva kell lennie.

## 8. FÜTÉS

**A fűtés ideje alatt a sütőajtonak nyitva kell lennie!**

Fatüzelés:

A névleges hőteljesítményt 2-3 hasábbal (kb. 2,4 kg) lehet elérni. A hamuajtónak mindig zárva kell lennie. A tüzelőanyag égését kizárólag a primer levegő szabályozóval szabályozza. A primer levegő hamuajtón levő forgatható szabályozóját kb. 10 perc után zárja el.

Az égés gyorsasága a helyi viszonyokhoz alakuló kéményhuzat és a légszabályozók helyzetéhez igazodik.

Barnaszén-brikettel való tüzelés:

A névleges hőteljesítményt 3 darab barnaszén-brikettel (kb. 1,7 kg) lehet elérni.

A szabályozás főleg a primer levegő hamuajtón levő forgatható szabályozójával történik. A hamuajtó ajtaja zárva van.

Tüzelőanyag	A névleges hőteljesítmény eléréséhez szükséges maximális tüzelőanyag-mennyiség	A primer levegő forgatható szabályozója (légáramlás a rostélyon keresztül)	A szekunder levegő tolatyús szabályozója
Fa	2 hasáb (kb. 2,4 kg)	10 percre nyitva majd zárva (begyújtáskor kinyitva)	Teljesen kinyitva (tolózár teljesen kihúzva)
Barnaszén-brikett	3 brikett (kb. 1,7 kg)	teljesen nyitva	1/2-re nyitva

## 9. FŐZÉS

Masszív, egyenes aljú és megfelelő fedővel ellátott fazekat használjon. A főzőlap-nyílás fedelét főzés közben nem szabad eltávolítani.

A begyújtó csappantyút az „1” (=nyitva) helyzetre állítani, a sütő ajtajának nyitva kell lennie.

Főzés: Legjobb a fa (fatüzelés alkalmával könnyebben fenntartható a hőmérséklet, mint más típusú tüzelőanyag használatakor) és főzés közben kisebb mennyiséget kell gyakrabban berakni. Ha fa nem áll rendelkezésére, rakjon több adag barnaszén-brikettet a tűztérbe, hogy magas parázs képződjön.

Tüzelőanyag-mennyiség: keményfa: kb. 1,1 kg, barnaszén-brikett: 1,1 kg.

A primer és a szekunder légbevezető-szabályozók beállítása a névleges hőteljesítmény szerint.

## 10. PIRÍTÁS ÉS SÜTÉS

A sütő alját ne rakja ki alufóliával, ne rakjon rá serpenyőt, fazekat stb., mert a zománc a hőfelhalmozódás következtében megrongálódhat. A tepsiből lecsepegő gyümölcsle okozta foltokat nem biztos, hogy el lehet a zománctól távolítani. Píritás, sütés előtt szükséges a sütőt minden alkalommal előmelegíteni. A magas kalácsot és a sült húst helyezze a rostélyon a sütő aljára vagy az alsó sütősínek valamelyikére. A lapos kalácsot és a lapos süteményt tartalmazó tepsit helyezze az alsó teleszkópos sütősínre. Lehetőség szerint ne használjon ózozott (fehér) lemezből készült tepsit.

A begyújtó csappantyút állítsa „0” helyzetbe.

A kb. 180-200°C fokon való sütéshez kisebb tűz is elég. A légszabályozót megfelelően be kell húzni és csak kevés tüzelőanyagot kell berakni.

Pirításra élénkebb tűz szükséges, hogy 250°C fok felett lehessen tartani a sütő hőmérsékletét. Pirításra tüzelőanyagként kivételesen alkalmas a hosszúlángú fa.

Itt ugyanaz érvényes, mint amit már a „főzésnél” leírtunk, azonban a begyújtó csappantyúnak zárva kell maradnia („0” helyzet). Ha nyitott légszabályozó mellett nem lehet elérni a szükséges hőmérsékletet, abban az esetben gyenge lehet a kéményhuzat.

Szükséges a sütő füstelvezető rendszerét kitisztítani. Vizsgálja felül, zárva-e van minden fogyasztó, amely ugyanabba a kéménybe van bekötve. Amennyiben ezután sem ér el megfelelő magasságú hőmérsékletet, forduljon az illetékes kéményseprőjéhez.

A tüzelőanyag mennyisége: keményfa: 1,1 kg, barnaszénbrikett: 1,1 kg.

A primer és a szekunder légbevezető-szabályozók beállítása a névleges hőteljesítmény szerint.

## **11. ÜZEMELTETÉssel KAPCSOLATOS ÉSZREVÉTELEK**

A tűzhely a hibátlan működéshez legalább 10 ÷ 11 Pa üzemelési kéményhuzatot igényel. Szükség szerint ki kell a tűzhelyet alaposan tisztítani, figyelmesen megvizsgálni és az esetleg megrongálódott vermikulit burkolatot kicserélni.

A helyes karbantartás növeli a tűzhely élettartamát. A tűzhely begyújtásánál vagy kihűlésénél hallható esetleges belső pattogás, recsegés nem hiba.

## **12. GAZDASÁGOS ÜZEMELTETÉS**

A gazdaságos fűtés nem jelent kevesebb meleget, hanem a tüzelőanyagra fordított kisebb költségeket. A gazdaságosságot és a jó teljesítményt leginkább a tűzhely tömítetlensége veszélyezteti, ilyen például az elégtelenül tömített füstcső csonk. Tömítetlenséget a rosszul összeillesztett füstcsövek is okozhatnak. Legelőnyösebb a tűzhely közvetlen csatlakoztatása a kéményhez.

A tűzhely számára a 15x15 cm átmérőjű kémény a megfelelő. A tüzelőanyagot száraz helyen kell tárolni. A száraz tüzelőanyag jobban ég, több meleget áraszt és alacsonyabb a fogyasztása.

A tűzhelyben csak előírt tüzelőanyagot használjon. Az egyes tüzelőanyagok égetése alatt mindig tartsa be az utasításban előírt rendelkezéseket.

Amíg az első adag nem égett át, addig ne rakjon a rostélyra további tüzelőanyagot, mert nő a fogyasztás és a kéménykürtőben egyúttal koromlerakódás keletkezik.

Az éghető gázok elégésének a mértékéről meggyőződhet a kéményből távozó égéstermékek megfigyelése által. A tüzelőanyag helytelen berakása következtében a kéményből sötét, sűrű égéstermék távozik, a helyes tüzelésnél pedig már néhány perc múlva világos égéstermék távozik. Szabályszerű tüzelésnél a tűzhelyből nem jön ki zúgás. A zúgás a hibás fűtést jelzi, mértéktelen hőmennyiség és elégtelen anyag illan el a kéménybe.

Ha a fűtés alatt (a jelen utasítás szerint) a tűzhelyben zúgás keletkezik, a tűztérbe áramló levegőmennyiség csökkentése által be kell a kéményhuzatot állítani.

Megtörténik, hogy egy bizonyos idő eltelte után a tűz a tűzhelyben gyengébben ég (általában ott, ahol az ajtók és az ablakok tömítve vannak), de nyitott ablak vagy nyitott ajtó esetén az égés jó. Az ok a nagyon eltömített helyiség és az ezzel járó elégtelen mennyiségű oxigén a helyiségben. Az ablak vagy az ajtó kinyitása által ez megszűnik. Legjobb megoldás az ablak felső részének a tömítését eltávolítani, ami megteremti a helyiség friss levegővel való tartós ellátásának az előfeltételét.

Ha a tűzhelyben a begyújtás után jól ég a tűz, de később az égés romlik, valószínű, hogy ebben az esetben a rostély bedugult a hamutól.

A tüzelőanyag rosszul ég, ha:

- nedves,
- vastag a tüzelőanyag-réteg,
- a rostély nincsen teljesen betakarva tüzelőanyaggal és a töltet körül hideg levegő áramlik,
- a tűztérbe vagy a helyiségbe irányuló levegőáramlás nem kielégítő.

Helytelen kezelés következtében a tűzhelyet ellepi a korom és a finom pernye, ezért szükséges a tűzhely belső részeit időnként az utasítás szerint kitisztítani. A tűzhely égéstermék-elvezető csővezetékeiben és a főzőlap alatt a korom nemkívánatos hőszigetelést képez.

A kellemes melegség és kényelem eléréséhez szükséges a helyiség számára optimális nedvességtartalmú levegőt biztosítani, amit párologtató segítségével lehet elérni.

## **13. FONTOS TUDNIVALÓK**

Éghető gáz ideiglenes keletkezésének veszélyéhez vezető körülmények között, vagy tüzet, vagy robbanást (pl. padlózat ragasztása stb.) előidézhető munkálatok végzésénél a tűzhelyet a veszély keletkezése előtt üzemen kívül kell helyezni.

- **A tűzhelyet a jelen utasítás szerint kell kezelni.**

- **A tűzhelyet csak felnőtt személyek kezelhetik, gyerekeket az üzemelő tűzhely közelében hagyni megengedhetetlen.**

- **Begyújtáshoz semmilyen gyúlékony folyadékot nem szabad használni.**

**-ÜZEMELÉS KÖZBEN GYÚLÉKONY FOLYADÉK HASZNÁLATA VAGY A HAMUFIÓK AJTAJÁNAK KINYITÁSA ÁLTAL TILOS NÖVELNI A TŰZHELY NÉVLEGES TELJESÍTMÉNYÉT.**

- **Gyúlékony tárgyakat a hamufiók ajtajának közelében nem szabad eldobálni.**

- **A hamut figyelmesen kell kihordani és fedővel ellátott tűzálló edényben kell tárolni.**

- **A sütő ajtajára nyitott állapotban súlyt vagy bármilyen tárgyat helyezni tilos!**

- **A megrongálódott, működésre alkalmatlan tűzhelyet nem szabad üzemeltetni. A használnak az üzemeltetés megkezdése előtt gondoskodnia kell a szakszerű javítás elvégzéséről.**

- **A hamu felhalmozódásának állapotát a füstcsőben és a könyökcsőben legalább havonta egyszer ellenőrizni kell és a tisztítást szükség szerint el kell végezni.**



- Üzemelés közben időnként ügyelni kell a tűzhely működésére és a tűzbiztonságra. Ellenőrizni kell a tüzelőanyag állapotát a tűztérben, a hamu lerakódását a rostélyon, az égési levegő szabályozószerveinek állapotát, az ajtó rendes bezárását és a tűzhely környezetének a tisztaságát, nincsenek-e ott gyúlékony tárgyak.

#### **14. TISZTÍTÁS ÉS KARBANTARTÁS**

A tűztér égéstermék-maradékoktól való kiürítését az üzemelés befejezése után kell elvégezni.

A tűzhely tisztítását a következőképpen végezze:

- vegye ki a lemezkeretből a főzőlapot és a fedelet, ezáltal megnyílik a sütő és a tűztér feletti egész tér.
- így a függőleges füstelvezető csövekből kisöpörheti a kormot egészen a tűzhely aljába,
- szerelje le a sütőt, ha már a sütő alatti tér teljesen fedetlen, egy tollseprű és kislapát segítségével távolítsa el a kormot az aláhelyezett hamufiókba.

A tűzhely tisztításának elvégzése után minden leszerelt alkatrészt szereljen vissza azok eredeti helyére úgy, hogy helyükre szilárdan és szorosan illeszkedjenek.

#### **15. TARTOZÉKOK JEGYZÉKE:**

- 1 db. zománcozott tepsi
- 1 db. nikkelezett rács
- 1 db. főzőlap fedél
- 1 db. füstcsonk
- 1 db. manipulációs kulcs
- 1 db. kutács
- 1 db. füstcsonkbetét

#### **16. PÓTALKATRÉSZEK JEGYZÉKE:**

- Acél főzőlap
- Acél főzőlap fedél
- Rostély
- Csappantyú
- Hamuajtó- és tüzelőajtó-zárral ellátott fogantyú
- Tömítő zsinór főzőlaphoz
- Tömítő zsinór tüzelőajtóhoz és hamuajtóhoz
- Samott-téglák
- Vermikulit (a tűztér és a sütő feletti térség bélése)
- Hamufiók

#### **GARANCIA**

Ha tűzhelyében a garanciális idő alatt működési vagy felületkezelési hiba fordul elő, azt soha ne próbálja saját maga kijavítani. Garanciális javításokat a garanciális javító és a gyártó végez. Nem garanciális javításokat az illetékes szervizek végeznek.

A tűzhely minőségéért és elkészítéséért a fogyasztónak történő eladás napjától számítva 2 évig vállaljuk a garanciát úgy, hogy a bizonyíthatóan hibás elkészítés következtében keletkezett hibákat rövid időn belül saját költségünkre eltávolítjuk azzal a feltétellel, hogy a tűzhely:

- pontosan az utasítás szerint volt kezelve,
- a kéménybekötés az érvényes szabványok szerint volt végrehajtva,
- nem volt erőszakkal mechanikailag megrongálva,
- nem végeztek rajta javításokat, módosításokat és jogtalan kezelést.

Reklamáció alkalmával meg kell adni a pontos címet és ismertetni kell a meghibásodást előidéző körülményeket. A reklamációt elbíráljuk, ha ahhoz az eladás dátumával és a forgalmazó pecsétjével ellátott garancialevelet is mellékel.

Vásárlás alkalmával saját érdekében kérje az olvashatóan kitöltött garancialevelet. A javítás módjáról és helyszínéről üzemünkben határozunk.

**Hő-túlterhelés mellett üzemeltetni a fogyasztót nem megengedett, ami azt jelenti, hogy:**

- a használt tüzelőanyag mennyisége nagyobb az előírtnál
- az égési levegő mennyisége nagyobb az előírtnál
- nem megengedett tüzelőanyag-fajta használata történik

**A hő-túlterhelés a következőkben mutatkozhat meg:**

- A tűztér samott-válaszfalának megrongálódásában
- Az öntöttvas lemez megrongálódásában
- A tűztérajtó megrongálódásában
- A rostély átégésében
- A samott téglá megrepedezésében

**Rendellenes üzemeltetés esetén a gyártó nem fogadja el a fogyasztóra benyújtott reklamációt!**

A termék kicserélésére vagy az adás-vételi szerződés felbontására a Polgári Törvénykönyv és a Reklamációs Szabályzat megillető előírásai érvényesek

WARRANTY CERTIFICATE

Product name and model: SOLID FUEL COOKER

ÖKONOM 85/FIKO Racional	model F 9313 R	*)
ÖKONOM 85/FIKO De Luxe	model F 9313 D	*)
ÖKONOM 85/FIKO Klassik	model F 9313 E	*)
ÖKONOM 75/FIKO Racional	model F 9375 R	*)
ÖKONOM 75/FIKO De Luxe	model F 9375 D	*)
ÖKONOM 75/FIKO Klassik	model F 9375 E	*)

Serial number: \*) Quality class: \*)

Standards: STN 06 1201, EN 12815, STN 73 4210, STN 73 4201, STN 92 0300

Date of production, seal and signature of technical inspection: \*)

Sales point seal, purchase date, signature \*)

\*) Put corresponding seals, fill in, or cross out if not applicable.

**THE WARRANTY CERTIFICATE IS INVALID WITHOUT DATA MARKED WITH \*)!**

The product was repaired under guarantee: Seal and signature of repair shop:

from: ..... to..... ..

from: ..... to..... ..

from: ..... to..... ..

**THORMA Výroba, k.s.**  
**SK – 986 01 Fil'akovo**  
**Tel/fax: 00421/47/4511537**

SUPPLEMENTARY CLAUSE:

The manufacturer recommends disposing the different parts of the packaging as follows:

- take the plastic stripe, the cardboard and the PE bag to a collecting point,
- wooden parts can be burnt.

Once the service life of the product has expired the manufacturer recommends disposing it at a collection point, and the refractory blocks and vermiculite parts at a waste deposit.

ZÁRUČNÝ LIST

NÁZOV A TYP VÝROBKU: SPORÁK NA TUHÉ PALIVÁ

ÖKONOM 85/FIKO Racional	typ F 9313 R	*)
ÖKONOM 85/FIKO De Luxe	typ F 9313 D	*)
ÖKONOM 85/FIKO Klassik	typ F 9313 E	*)
ÖKONOM 75/FIKO Racional	typ F 9375 R	*)
ÖKONOM 75/FIKO De Luxe	typ F 9375 D	*)
ÖKONOM 75/FIKO Klassik	typ F 9375 E	*)

Výrobné číslo: \*) Akostná trieda: \*)

Normy STN: STN 06 1201, STN EN 12815, STN 73 4201, STN 73 4210, STN 92 0300

Dátum výroby, pečiatka a podpis  
technickej kontroly \*)

Pečiatka predajne,  
dátum predaja, podpis \*)

\*) vyplniť príslušnými pečiatkami, rukopisom, resp. čo sa nehodí škrtnúť.

**BEZ ÚDAJOV OZNAČENÝCH \*) JE ZÁRUČNÝ LIST NEPLATNÝ !**

Výrobok bol v záručnej opravě: Pečiatka a podpis opravovne:

od: ..... do: ..... .....

od: ..... do: ..... .....

od: ..... do: ..... .....

**THORMA Výroba k.s.**  
**SK – 986 01 Fil'akovo**  
**tel/fax: 047/4511537**

Dodatok:

Výrobca doporučuje spotrebiteľovi jednotlivé časti obalu nasledovne znehodnotiť:

- PE vreće, pásku z plastickej hmoty odovzdať do zberu druhotných surovín
- drevené časti obalu využiť ako palivové drevo.

Výrobca doporučuje spotrebiteľovi odovzdať výrobok po uplynutí doby jeho životnosti do zberu kovového šrotu, šamotové tehly a vermiculity na skládku odpadu.

## ZÁRUČNÍ LIST

Název a typ výrobku: SPORÁK NA PEVNÁ PALIVA

ÖKONOM 85/FIKO Racional	typové číslo F 9313R	*)
ÖKONOM 85/FIKO De Luxe	typové číslo F 9313D	*)
ÖKONOM 85/FIKO Klassik	typové číslo F 9313E	*)
ÖKONOM 75/FIKO Racional	typové číslo F 9375R	*)
ÖKONOM 75/FIKO De Luxe	typové číslo F 9375D	*)
ÖKONOM 75/FIKO Klassik	typové číslo F 9375E	*)

Výrobní číslo : \*) Jakostní třída \*)

Normy: ČSN EN 12815, ČSN 06 1000, ČSN 06 1008, ČSN 73 4201

Datum výroby, razítko, podpis technické kontroly: \*)

Razítko prodejny, datum prodeje, podpis: \*)

\*) Vyplnit příslušnými razítky, rukou, resp.co se nehodí škrtnout.

**Bez údajů označených \*) je záruční list neplatný!**

Výrobek byl v záruční opravě:

Razítko a podpis opravny:

od : .....do: .....

.....

od : .....do: .....

.....

od : ..... do: .....

.....

**THORMA Výroba, k.s.**  
**SK – 986 01 Fiľakovo**  
**Tel/fax: 00421/47/4511537**

### DODATEK

Výrobce doporučuje spotřebiteli jednotlivé části obalu následovně znehodnotit:

- pásek z plastické hmoty, obal z plastické hmoty odevzdat do sběru
- dřevěné části využít jako palivové dřevo

Výrobce doporučuje spotřebiteli po uplynutí životnosti výrobku odevzdat ho do sběru kovového šrotu, šamotové cihly a keramické sklo na skládku odpadu

G A R A N C I A L E V É L

A termék típusa és megnevezése: HÁZTARTÁSI TÜZHELY SZILÁRD TÜZELŐANYAGRA

ÖKONOM 85/FIKO Racional	típuszám: F 9313 R	*)
ÖKONOM 85/FIKO De Luxe	típuszám: F 9313 D	*)
ÖKONOM 85/FIKO Klassik	típuszám: F 9313 E	*)
ÖKONOM 75/FIKO Racional	típuszám: F 9375 R	*)
ÖKONOM 75/FIKO De Luxe	típuszám: F 9375 D	*)
ÖKONOM 75/FIKO Klassik	típuszám: F 9375 D	*)

Gyártási szám: \*) Minőségi osztály: \*)

Szabványok: STN (Szlovák Műszaki Szabvány) 06 1201, STN EN 12815, STN 73 4210, STN 73 4201, STN 92 0300

A gyártás kelte, a műszaki ellenőrzés pecsétje, aláírása: \*)

A forgalmazó pecsétje, az eladás kelte, aláírás: \*)

\*) A megfelelő pecséttel ellátni, kézzel kitölteni, ill. ami nem jó áthúzni.

A \*) CSILLAGGAL JELÖLT ADATOK NÉLKÜL A GARANCIALEVÉL ÉRVÉNYTELEN!

A termék garanciális javításra átadva:	A szerviz pecsétje, aláírás:
.....-tól/től .....-ig	.....
..... -tól/től .....-ig	.....
..... -tól/től .....-ig	.....

**THORMA Výroba, k.s.**  
**SK – 986 01 Fiľakovo**  
**tel/fax: 00421/47/4511537**

KIEGÉSZÍTÉS:

A csomagolás egyes részeinek megsemmisítését a gyártó a következőképpen ajánlja elvégezni:  
 - a hullámkartont, a műanyag szalagot és a PE-zsákokat átadni a másodlagos nyersanyag-begyűjtőbe,  
 - a faelemeket fatüzelőanyagként felhasználni.  
 Élettartama lejártá után a terméket a gyártó az ócskavas-begyűjtőbe, a vermikulitot és a samott téglát pedig a hulladéklerakódóhelyre ajánlja elszállítani.